



www.icecompanies.com

使用说明书  
Operator & Parts Manual

三合一抽吸式洗地毯机  
Self\_Contained Extractor



**IE410**

The  
*Peoples*  
COMPANY

6210149  
REV.01(02-2013)

**INTERNATIONAL CLEANING EQUIPMENT**

---

## TABLE OF CONTENTS

SAFETY PRECAUTION . . . . .	2
MACHINE SET-UP . . . . .	3
MACHINE OPERATION . . . . .	3-4
MACHINE MAINTENANCE & STORAGE . . . . .	5
TROUBLESHOOTING . . . . .	6
MACHINE COMPONENTS . . . . .	7
PARTS LIST . . . . .	8-19
SAFETY PRECAUTION(In Chinese) . . . . .	20
MACHINE OPERATON & STORAGE(In Chinese). . . . .	21-24
SPECIFICATIONS . . . . .	25
WIRING DIAGRAM . . . . .	26
WEAR & TEAR PARTS . . . . .	27

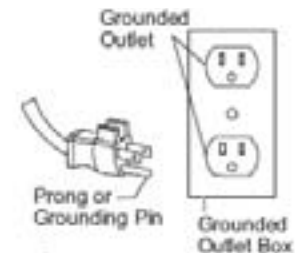
## SAFETY PRECAUTION



Carefully read and understand this manual before operating this machine.  
This machine must be grounded!

This machine shall be grounded while in use to protect the operator from electric shock. Grounding provides a path of least resistance for electric current. This machine is equipped with a cord having an equipment-grounding conductor and grounding plug. The plug must be plugged into an appropriate outlet that is properly installed and grounded in accordance with all local codes and ordinances. Do not remove the ground pin under any circumstances.

This machine is for use on a nominal 220-volt circuit and has a grounding plug that resembles the plug illustrated in Figure. Make sure that the machine is connected to an outlet having the same configuration as the plug. No adapter should be used with this machine.



This machine is intended for commercial use. It is constructed for use in an indoor environment and is not intended for any other use. Use only recommended accessories.

### 1. Do not operate machine:

- Unless trained and authorized.
- In flammable or explosive areas.
- With a damaged cord or plug
- If not in proper operating condition.
- Unless you have read and understand the operators manual.
- With the use of extension cords.
- In outdoor areas and standing water.

### 2. Before operating machine:

- Make sure all safety devices are in place and operating properly.

### 3. When using machine:

- Do not run machine over cord.
- Do not pull cord around sharp edges or corners.
- Do not handle plug with wet hands.
- Report machine damage or faulty operation immediately.
- Do not pull machine by cord or plug.
- Do not unplug by pulling on the cord.
- Do not stretch cord.
- Keep cord away from heated surfaces.

### 4. Before leaving or servicing machine:

- Turn off machine.
- Unplug cord from outlet.

### 5. When servicing machine:

- Unplug cord from outlet.
- Use manufacturer supplied or approved replacement parts.



To avoid electrical shock, please replace the power cord immediately if any damage is being detected. The replacement must be performed only by an authorized person or by our customer service center.

## SELF-CONTAINED EXTRACTOR SET-UP



**Read operators manual thoroughly prior to operating or servicing this machine!!!**

Carefully check the shipping carton for signs of damage. Report any carton damage to carrier immediately.

Check carton contents to ensure carton is complete. Contact your ICE distributor if anything is missing.

Contents:

- Carpet Extractor
- Upholstery tool assembly
- 50' extension power cable
- Hose assembly



**Read operators manual thoroughly prior to operating or servicing this machine!!!**

1. Using a hose or bucket, fill tank with a maximum of 10 gallons of hot water.
2. Add distributor recommended cleaning solution.



**Do not use flammable liquids or operate machine in or near flammable liquids or vapors!!!**

3. Connect the supplied extension power cable to the machine. Plug cord into a grounded wall outlet. (see grounding instructions)
4. Drop the brush head to the floor with the foot release pedal on the back of the machine.

## MACHINE OPERATION

### PRIOR TO EXTRACTING CARPETS

1. Inspect power cable and extension cable for damage. Replace cable if damage is found.
2. Vacuum carpet to remove debris prior to extracting carpet.

### CARPET EXTRACTING

1. Turn on vacuum / pump switch.

*NOTE: Solution will only spray when the brush / spray button is pushed.*

2. To start cleaning, push the brush / spray button and begin to pull the machine backwards.

**NOTE:** For best cleaning results, pull back on the machine at a pace of approx. 10 feet in 15 seconds.

3. Release brush / spray button at the end of the path, and continue to pull machine back for another 12 inches to pick up excess solution.

4. Tip machine back onto the transport wheels and push forward to begin next path.

## OPERATING HINTS

1. Overlap cleaning path by approx. 2 inches
2. Work away from power outlet and power cable in order to avoid damage to the power cable.
3. Continually check for foam buildup in recovery tank. Use a distributor recommended foam control solution.  
NOTE: Excessive foam buildup will not activate the float shut-off and may cause damage to the vacuum motor.
4. Repeat extraction path on heavily soiled areas.
5. If brush stops spinning, there may be an obstruction in the brush. Unplug the power cable, raise the brush off the floor and check for an obstruction. Check & reset the brush circuit breaker located on the control housing.
6. When recover of the dirty solution ends, or the solution tank is empty, you must drain the recovery tank. (see TANK DRAINING)

## USE OF ACCESSORY TOOLS

*NOTE: Prior to cleaning upholstery, be sure to read cleaning instructions provided by the manufacturer.*

1. Disconnect black vacuum hose off the back right side of the machine. Connect accessory vacuum hose to area where the standard vacuum hose was removed.
2. Connect accessory solution hose to brass quick connect coupler located on the back of the machine.
3. Connect accessory tool to solution and vacuum hoses.
4. Turn on vacuum / pump switch.
5. Operate accessory tools as needed.
6. When cleaning is completed, relieve water pressure from solution lines by turning off vacuum / pump switch and then squeeze trigger for 4 seconds.

## DRAINING TANKS

### DRAINING SOLUTION TANK

1. Disconnect vacuum hose from back of machine and connect the “bleeder” vacuum hose (included with machine) to the machine back.
2. Remove the solution tank filter at the fill area and place end of “bleeder” hose into the bottom of the tank.
3. Turn on vacuum / pump switch & vacuum out the remaining solution.

### DRAINING RECOVERY TANK

1. Turn off machine, unplug and remove power cable.
2. Unhook drain hose off the back of the machine and remove drain hose stopper.
3. Drain dirty solution into floor drain.
4. Replace drain hose stopper and reattach hose to back of machine.

## MACHINE MAINTENANCE

To keep the machine performing well for many years, please follow the following maintenance procedures.



*Always confirm that the machine is unplugged prior to performing any maintenance or repairs!!!*

### DAILY MAINTENANCE

1. When cleaning operation is complete for the day, drain and rinse the recovery tank thoroughly with clean water.
2. Remove remaining solution from solution tank.
3. Remove float shut-off (ping pong ball in cage) from recovery tank and clean with water.
4. Remove and inspect spray jets. If necessary, clean jets in acetic acid solution.



*Do not clean brass jets with a pointed object, as it will damage the jets.*

5. Check brush assembly & remove any debris or carpet fibers.
6. Check pick up head and remove any debris or carpet fibers.
7. Check condition of the stainless steel pickup shoes on the pickup head. The shoes must contact the floor for the whole length of the pickup head. Replace as necessary.
8. Clean machine with a nonabrasive cleaner.
9. Inspect power cable for any damage. Replace if necessary.

### MONTHLY MAINTENANCE

1. Flush pump & plumbing with an acetic acid solution to dissolve any chemical buildup.

#### *Mixing Instructions:*

- a) Premix 16 oz. of an acetic acid solution with 2 gallons of water and pour into solution tank.
  - b) Turn vacuum / pump switch on
  - c) Put machine head over floor drain and operate machine for 50 seconds.
  - d) Shut machine down and allow remaining solution to sit in machine overnight.
  - e) The following day, spray out remaining solution and flush system again with 3 gallons of clean water.
- 2) Inspect machine for water leaks.
  - 3) Lubricate wheels with a water resistance lubricant.

### MACHINE STORAGE

1. Prior to storing the machine, ensure the solution and recovery tanks are clean and empty of any solution.
2. Store machine in upright position in a dry area, with the brush head off the floor.
3. Remove recovery tank clear lid to allow for air circulation.



*If you are storing the machine in an area which can freeze, be sure both tanks and the solution plumbing are empty of all water and dry!*

## BASIC TROUBLESHOOTING

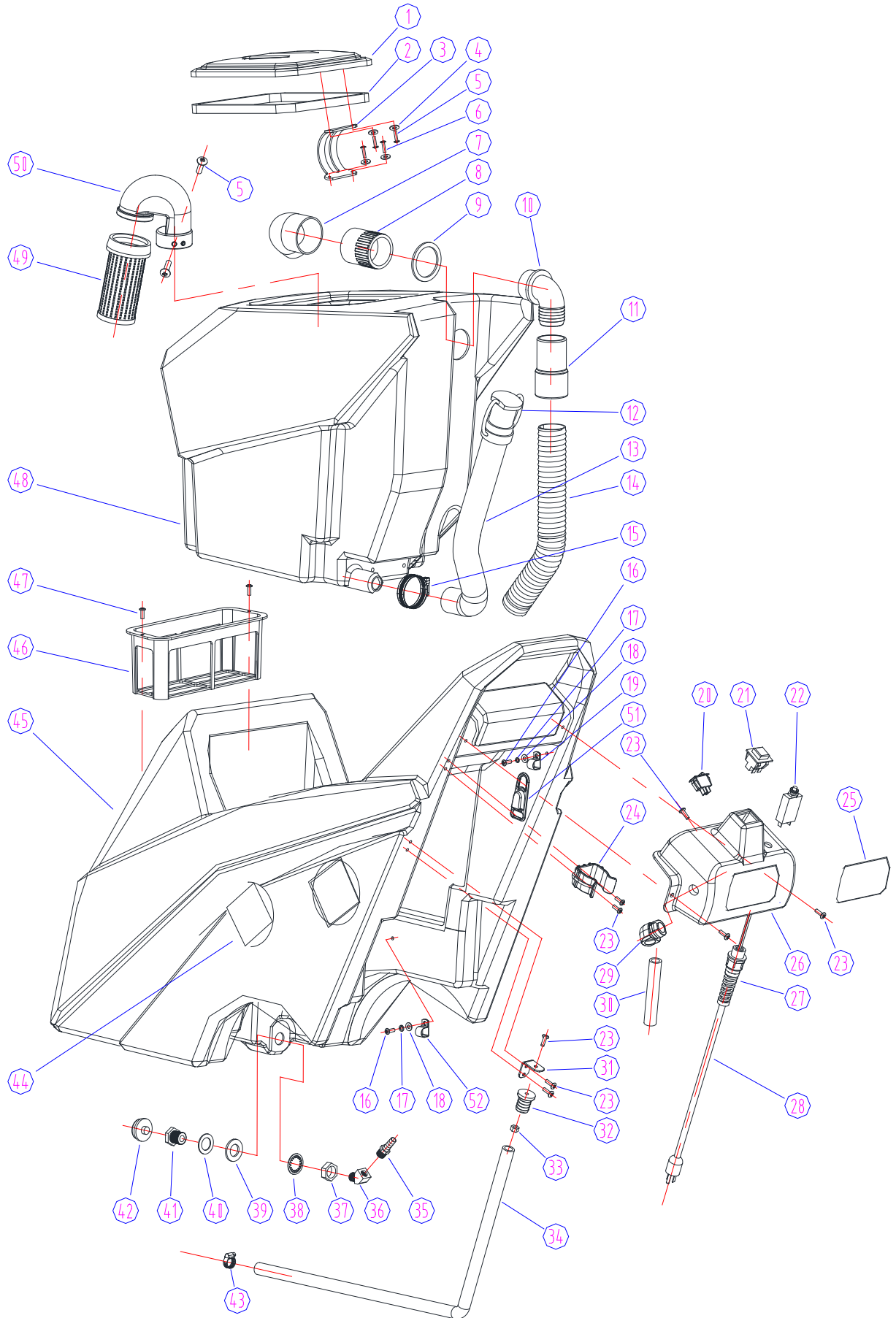
PROBLEM	CAUSE	SOLUTION
Machine doesn't work	Not plugged in to power source	Plug into a grounded outlet
	Faulty power cable	Contact ICE Distributor
	Faulty extension power cable	Replace with new extension power cable
	Building circuit breaker tripped	Reset circuit breaker
Solution pump not working	Vacuum / pump switch not on	Turn on switch
	Vacuum / pump switch faulty	Contact ICE Distributor
	Faulty solenoid	Contact ICE Distributor
	Faulty solution pump	Contact ICE Distributor
	Pump overheated	Determine cause and allow 30 minutes for pump to cool
	Loose or broken wiring	Contact ICE Distributor
Vacuum motor not working	Vacuum / pump switch not on	Turn on switch
	Vacuum / pump switch faulty	Contact ICE Distributor
	Vacuum motor thermal overload tripped	Check for obstruction and allow 30 minutes to cool
	Faulty vacuum motor	Contact ICE Distributor
	Worn carbon brushes	Contact ICE Distributor
	Loose or broken wiring	Contact ICE Distributor
	Poor pick up	Air leaking around clear recovery lid
Clogged float shut-off		Remove float shut-off and clean off debris
Float shut-off is activated		Drain recovery tank
Loose drain hose stopper		Ensure stopper is securely in place
Loose vacuum hose connections		Ensure vacuum hose connections are tight
Defective vacuum hose		Replace vacuum hose
Loose vacuum hose cuffs		Ensure cuffs are secure to the hose
Damaged or loose pickup head shoes		Contact ICE Distributor
Pulling machine too fast		Slow down cleaning operation
Uneven or no solution spray		Solution tank is empty or low
	Vacuum / pump switch not on	Turn on switch
	Dirty or plugged spray tips	Clean or replace spray tips
	Improper spray tip size or spray angle	Contact ICE Distributor
	Worn spray tips	Contact ICE Distributor
	Faulty solution pump	Contact ICE Distributor
	Plugged solution tank filter	Clean or replace filter
	Pinched or kinked solution hose	Check for obstructions and kinks and reroute or replace if needed

## MACHINE COMPONENTS

1. Vacuum/Pump ON/OFF switch
2. Brush circuit breaker
3. Brush/spray ON/OFF switch
4. Drain hose
5. Accessory tool solution hookup
6. Brush raise and lower foot pedal
7. Spray jets
8. Brush assembly
9. Pickup head
10. Solution tank fill port
11. Clear dome





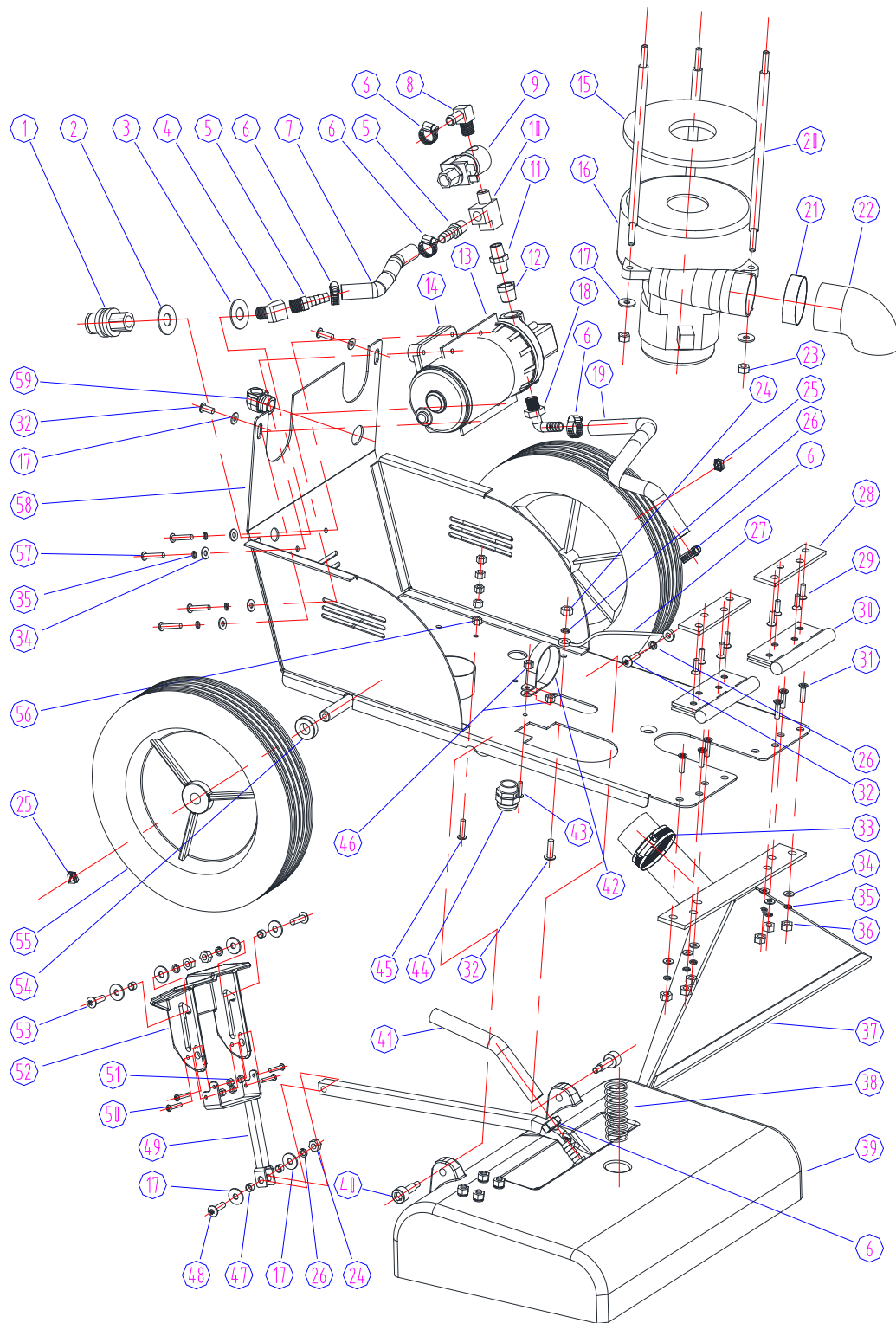


## PARTS LIST

DIA NO	PART NUMBER	DESCRIPTION	NO REQ'D
1	2320216	Clear Dome 污水透视窗	1
2	2320218	Gasket,Clear Dome 污水透视窗密封圈	1
3	2320217	Rubber Hinge 橡胶胶链	1
4	1421409	Washer,Plain,φ4.3Xφ9X0.8 不锈钢平垫片, φ4.3Xφ9X0.8	4
5	1321210	Screw, Ph, St4 X10 十字盘头尖尾自螺丝 St4X10	4
6	1221410	Screw, Ph, M4 X10 十字盘头螺丝 M4X10	2
7	6210109	Bend, Tube 弯管	1
8	6210104	Coupler 直通接头	1
9	6210103	Gasket,Coupler 密封垫	1
10	6210108	Elbow 弯管接驳	1
11	6210114	Coupler,Vac Hose 喉管端驳 11/2"	1
12	2230131	Plug 放污管堵	1
13	6210705	Drain Hose 放污管总成	1
14	6210113	Vac Hose 吸水喉管 11/2"	1
15	1962050	Clamp, Hose 2" 喉箍, 27~51mm	1
16	1021610	Screw, Hex, M6X10,SST 不锈钢六角头螺丝, M6X10	2
17	1422616	Washer, Lock, SST, Ø6 不锈钢弹簧垫片, Ø6	2
18	1421617	Washer, Plain, φ6Xφ16X2 不锈钢平垫片, φ6Xφ16X2	2
19	6150712	Clamp, Cord 线夹	2
20	6210503	Rocker Switch 翘板开关	1
21	6210502	Push Button Switch 按钮开关	1
22	6210504	Circuit Breaker, 2A 过载保护器 (250VAC 2A)	1
23	1221512	Screw, M5X12, PH 不锈钢十字盘头螺丝 M5X12	6
24	6210111	Clamp, Drain Hose 放污管夹	1
25	6210125	Warning Decal 警告贴纸	1
26	6210501	Switch Housing 控制盒	1
27	4010310	Strain Relief 线驳	1
28	6210507	Power Cord 电源线	1
29	6210505	Elbow Corrugated Tubing Fitting 弯角浪管接头	1
30	6210506	Corrugated Tubing 浪管	1
31	6210128	Bracket, Fitting 接头支架	1
32	8114005	Fitting 接头	1
33	1123507	Nut, Lock, SST, M5 不锈钢防松螺母, M5	1
34	6210135	Tubing 溶液管	1
35	6180128	Barb, Hose 直身铜接头	1
36	6180115	Elbow, Street 45° 45° 铜接头	1
37	6180126	Nut, Coupling 联接件螺母	1
38	6120667	Washer, Lock, Internal Tooth 齿形垫片 03/4"	1
39	6160509	Gasket, Solution, Intake 胶圈	1

**PARTS LIST**

<b>DIA NO</b>	<b>PART NUMBER</b>	<b>DESCRIPTION</b>	<b>NO REQ'D</b>
40	6120276	Washer, Plain 大垫片 (清水箱联接件)	1
41	6180125	Coupling 清水箱联接件	1
42	6110411	Strainer, Line 清水箱滤网	1
43	1962025	Clamp(16-25) 喉箍 (16-25)	1
44	4010316	Logo 标牌	3
45	6210101	Solution Tank 清水箱	1
46	6210107	Filter 滤网	1
47	1321310	Screw, ST4.8X9.5 大扁头不锈钢自螺丝 S4.8X9.5	2
48	6210102	Recovery Tank 污水箱	1
49	8111015	Float, Shut-off 滤网浮球	1
50	2320220	Bend 弯头	1
51	8014043	Cord Wrap 挂线板	1
52	6210131	Clamp 固定夹	1

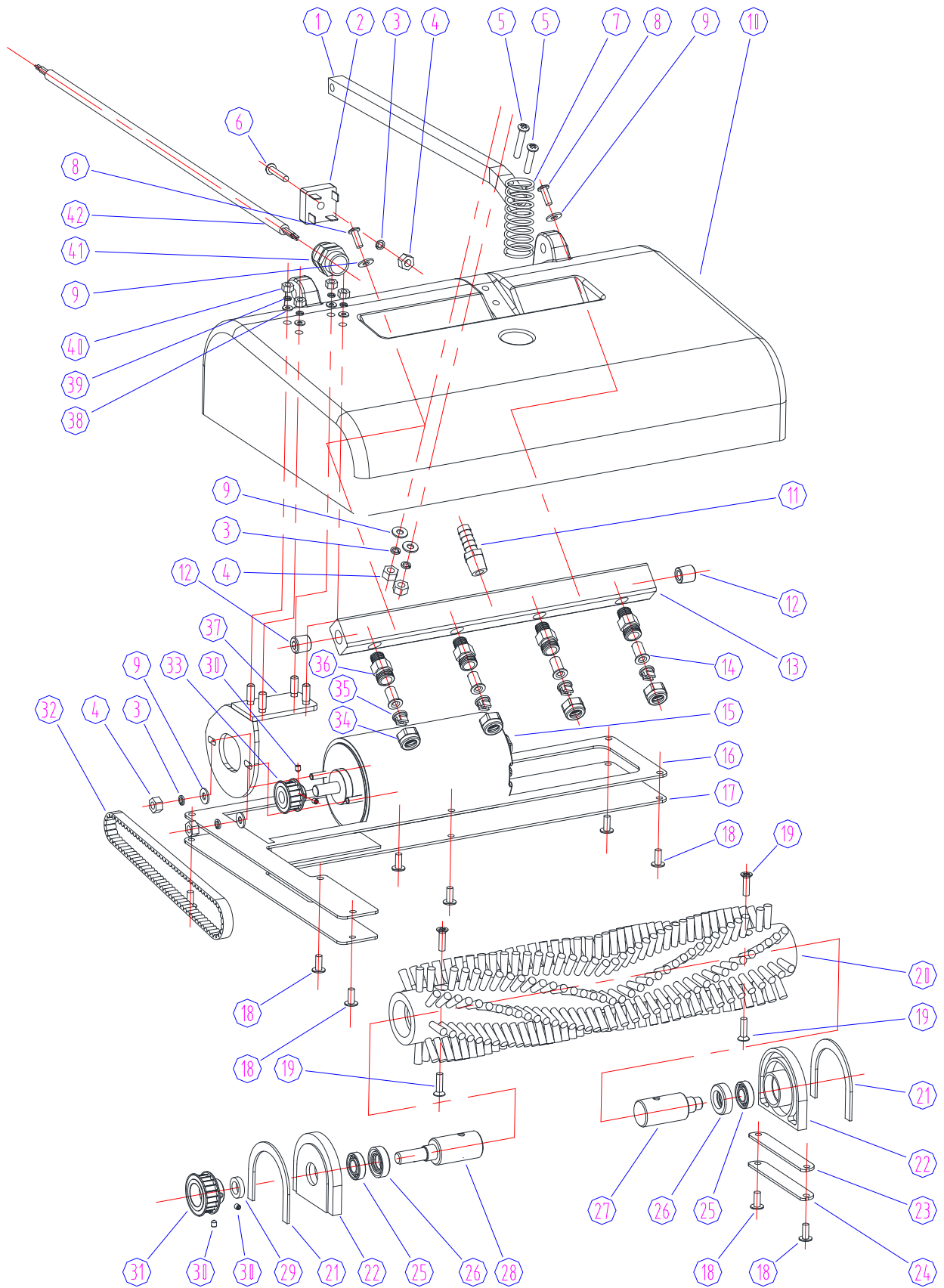


## PARTS LIST

DIA NO	PART NUMBER	DESCRIPTION	NO REQ'D
1	6180208	Coupler, Quick Connect 铜快换接头	1
2	1421432	Washer, Plain, Ø13.5XØ32X1.5 不锈钢平垫片, Ø13.5XØ32X1.5	1
3	1421428	Washer, Plain, Ø14XØ32X1.5 不锈钢平垫片, Ø14XØ32X1.5	1
4	6180115	Elbow, Street, 45° 45° 铜接头	1
5	6180128	Barb, Hose 直身铜接头	2
6	1962016	Clamp, Hose 3/8" 喉箍 3/8"	6
7	6210116	Hose, High Pressure 高压水管 (至快换接头)	1
8	6210607	Barb, Pump 直角铜接头	1
9	6210604	Solution Solenoid, 220V/50HZ 电磁阀 (220V, 50HZ)	1
10	6210606	Connector, Three-way 三通接头	1
11	6210603	Connector 双头铜接头	1
12	6210602	Barb, Pump 水泵铜接头	1
13	6210601	Mounting Frame, Pump 水泵安装支架	1
14	6250200	Pump, 220V, 100PSI 清水泵, 220V, 100PSI	1
15	2310116	Gasket, Vac Motor 吸力泵密封垫	1
16	2310121	Vac Motor, 3-STAGE 220V 吸力泵 (220V, 三级)	1
17	1421617	Washer, SST, Plain, Ø6XØ16X2 不锈钢平垫片, Ø6XØ16X2	11
18	6180210	Bend, Nylon, Pump 水泵尼龙弯头	1
19	6210117	Hose, Solution 低压水管 (至清水箱)	1
20	2310122	Stud 双头螺杆	3
21	1914300	Tie, Cable 线扎	1
22	2320208	Acoustic Insulation Pipe 消音管	1
23	1123608	Nut, Lock, SS, M6 不锈钢防松螺母, M6	3
24	1121605	Nut, SST, M6 不锈钢六角螺母, M6	4
25	6110011	Cap, Axle 轴盖帽	2
26	1422616	Washer, Lock, Ø6 不锈钢弹簧垫片, Ø6	5
27	8111020	Cable 拉绳	1
28	6210105	Spacer 垫	2
29	1222515	Screw, FH, M5X15, SST 十字沉头不锈钢螺丝, M5X15	8
30	6160406	Hinger, SST 4" 4" 不锈钢合页	2
31	1222520	Screw, FH, SST, M5X20 十字沉头不锈钢螺丝, M5X20	6
32	1221616	Screw, SST, PH, M6X16 十字大扁头不锈钢螺丝, M6X16	4
33	1962050	Clamp, Hose 2" 喉箍, 27~51mm	1
34	1421515	Washer, SST, PLAIN, Ø5XØ15X1 不锈钢平垫片, Ø5XØ15X1	10
35	1422513	Washer, Lock, Ø5 不锈钢弹簧垫片 Ø5	10
36	1121505	Nut, SST, M5 不锈钢六角螺母 M5	6
37	6210140	Carpet Pick-up Tool 耙头	1
38	6210407	Spring 弹簧	1
39	6210400	Mounting Base Assy, Brush 滚刷座总成	1

## PARTS LIST

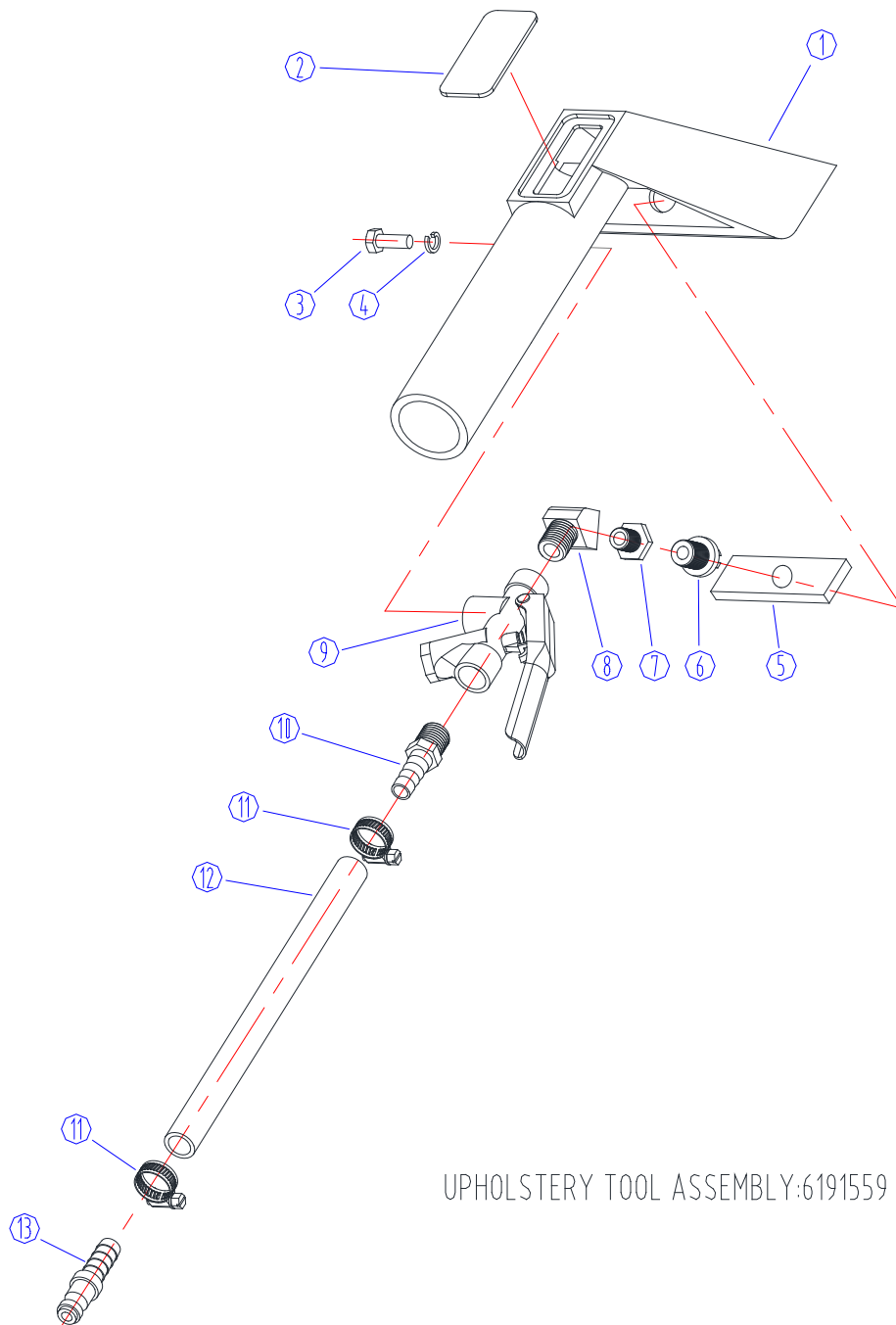
DIA NO	PART NUMBER	DESCRIPTION	NO REQ'D
40	6210110	Shoulder Screw 轴肩螺丝	2
41	6210115	Hose, Spraying 高压水管 (至喷管)	1
42	6210130	Clamp 固定夹	1
43	1221416	Screw, RHM,M4X16,SST 不锈钢十字盘头螺丝 M4X16	1
44	2320403	Strainer 线驳	1
45	1221425	Screw, RHM,M4X25,SST 不锈钢十字盘头螺丝 M4X25	1
46	1123406	Nut, Nylon, Insert, M4 防松螺母 M4	2
47	6210106	Spacer 隔套	4
48	1021640	Screw, M6X40,Hex 不锈钢外六角螺丝 M6X40	1
49	6210305	Bracket, Foot Step 加长件	1
50	1221515	Screw, RHM, M5X15, SST 不锈钢十字盘头螺丝 M5X15	4
51	1123507	Nut, Lock, SST, M5 不锈钢防松螺母 M5	4
52	2320209	Foot Step 脚踏板	1
53	1021625	Screw, RHM, M6X25, SST 不锈钢外六角螺丝 M6X25	2
54	6160113	Washer, Wheel, AL 挡圈	2
55	2320223	Wheel, 10" 10" 后大轮	2
56	1113304	Kep nuts, M4 齿形螺母, M4	5
57	1221530	Screw,RHM,M5X30,SST 不锈钢十字盘头螺丝 M5X30	4
58	6210200	Bottom Plate Assy 底板总成	1
59	6210505	Elbow Corrugated Tubing Fitting 弯角浪管接头	1



## PARTS LIST

DIA NO	PART NUMBER	DESCRIPTION	NO REQ'D
1	6210403	Lift Bar 提升杆	1
2	6210423	Rectifier 桥式整流器	1
3	1422513	Washer Lock SST Ø5 不锈钢弹簧垫片 Ø5	5
4	1121505	Nut SST,M5 不锈钢六角丝母 M5	5
5	1221530	Screw SST PH M5X30 水泵固定螺丝 M5X30	2
6	1221525	Screw, PH,SST,M5X25 十字盘头不锈 钢螺丝 M5X25	1
7	6210407	Spring 弹簧	1
8	1221514	Screw PH SST M5X14 不锈钢十字盘头螺丝 M5X14	2
9	1421515	Washer PLAIN Ø5XØ15X1 不锈钢平垫片 Ø5XØ15X1	6
10	6210401	Mounting Base Brush 滚刷座	1
11	6180128	Barb Hose 直身铜接头	1
12	6140330	Insert Sprayer Body 堵	2
13	6210421	Sprayer Body 喷管	1
14	6110421	Strainer 喷嘴滤网	4
15	6210435	Motor, 220V 直流电机 220V	1
16	6210433	Gasket 密封垫	1
17	6210431	Bottom Plate 滚刷座底板	1
18	1221512	Screw BH M5X12 SST 十字盘头不锈钢螺丝 M5X12	10
19	1222520	Screw FH SST M5X20 不锈钢沉头螺丝 M5X20	4
20	6210412	Brush 滚刷	1
21	6210417	Gasket 橡胶垫	2
22	6210414	Frame Brush 滚刷支架	2
23	6210406	Gasket 密封垫	1
24	6210404	Plate 支撑板	1
25	1611629	Bearing 轴承 (Ø10XØ22X6)	2
26	1632512	Seal 旋转轴唇形密封圈 (FB12-25-7)	2
27	6210411	Shaft Brush 滚刷轴	1
28	6210413	Axle Pulley 皮带轮轴	1
29	6210416	Spacer 隔套	1
30	1534405	Screw Hex Socket 内六角平端紧定螺钉 M4X5	4
31	6210415	Driven Pulley 从动皮带轮	1
32	6210402	Belt 皮带	1
33	6210432	Driving Pulley 电机皮带轮	1
34	6180121	Cap-Nozzle, Spray, Brass 喷嘴拼帽	4
35	6180574	Tip-Nozzle, Spray,SST 110 喷嘴	4
36	6180120	Body-Nozzle, Spray 双头铜螺母	4
37	6210436	Mounting Bracket, Motor 电机安装支架	1
38	1421617	Washer,SST,Plain,Ø6XØ16X1.5 不锈钢平垫片 Ø6XØ16X1.5	4
39	1422616	Washer, Lock, Ø6 不锈钢弹簧垫片 Ø6	4
40	1421605	Nut,SST,M6 不锈钢六角丝母 M6	7
41	2320403	Strain Relief 线驳	1
42	6210408	Power Cord 电源线	1

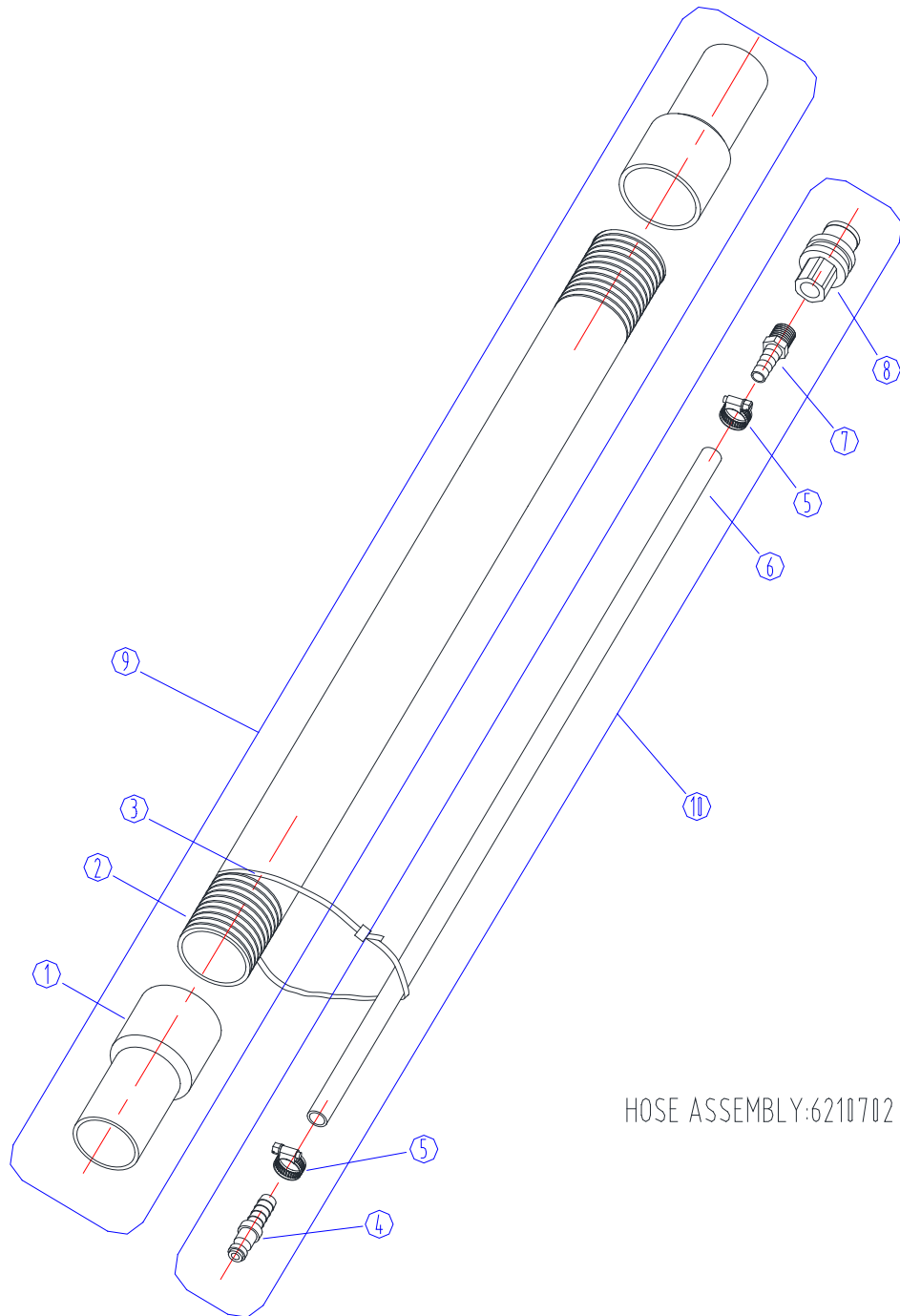




UPHOLSTERY TOOL ASSEMBLY:6191559

**PARTS LIST**

<b>DIA NO</b>	<b>PART NUMBER</b>	<b>DESCRIPTION</b>	<b>NO REQ'D</b>
1	6140328	Upholstery Tool 手耙	1
2	6140327	Window, Hand Tool 手耙视窗	1
3	1023806	Screw, 5/16-18X5/8"L, HH 水开关固定螺丝	1
4	1421816	Washer, Plain, Ø8XØ16.5X1 不锈钢平垫片 Ø8XØ16.5X1	1
5	6160531	Gasket 密封垫	1
6	6180159	Nozzle, Spray Tip, 80° 80° 手耙喷嘴	1
7	6180105	Bushing, Brass 手耙用直身铜接头	1
8	6180115	Elbow, Street, 45 Degrees 45° 铜接头	1
9	6110933	Trigger Valve 水掣体	1
10	6180128	Barb, Hose 直身铜接头	1
11	1962016	Clamp, Hose 3/8" 喉箍, 3/8"	2
12	6185317	Solution Hose, 3/8" 3/3" 喉管	1
13	6180241	Barb, Hose Mail Plug 不锈钢子接头	1



HOSE ASSEMBLY:6210702

**PARTS LIST**

<b>DIA NO</b>	<b>PART NUMBER</b>	<b>DESCRIPTION</b>	<b>NO REQ'D</b>
1	6160215	Cuff 1 1/2"                      吸力管端驳	2
2	6210703	Hose, Vacuum                      吸水喉管	1
3	1914300	Tie, Cable                      黑色索带	16
4	6180241	Hose Barb/Mail Plug, SST      不锈钢子接头	1
5	1962016	Clamp, Hose, SST 3/8"          喉箍, 3/8"	2
6	6210704	Hose, Solution, 16"L              高压喷水管	1
7	6180128	Hose Barb                      直身铜接头	1
8	6180208	Couple, Quick Connect          铜快换接头	1

## 安全预防

本机必须接地！以避免电击。

本机仅作商业用途，仅限于室内使用，敬请使用本机所推荐的附件。

本机操作者应仔细阅读，理解，遵照以下安全预防措施操作本机。

1. 以下情况不得操作本机
  - 未经培训或取得相应的资格。
  - 未认真阅读并理解本机操作说明。
  - 于易燃易爆场所。
  - 插头或电源线存在损伤或变更。
  - 机器存在故障隐患而不适宜操作时。
  - 户外作业时。
  - 雨水中。
  - 无过滤装置。
  - 使用未经核准的延长电源线。
2. 操作本机前
  - 应确保所有安全装置功能正常。
3. 使用时：
  - 根据厂家的推荐正确使用化学品。
  - 勿碾压电源线。
  - 不要用拖拉电线的方式移动本机。
  - 勿将电源线置于物件锋利的边角处。
  - 切勿用拖拉电线的方式拔取插头。
  - 勿延伸电源线。
  - 双手潮湿时，勿拔取插头。
  - 勿将电源线置于发热的物件表面。
  - 勿吸取燃烧物或活性金属。
  - 立即反映本机之任何不正常状况。
4. 离开本机或维修前必须
  - 关掉本机。
  - 拔除电源插头。
5. 维修本机时
  - 必须拔除电源插头。
  - 应使用原厂配件。
  - 避免移动部件，勿穿太宽松服装。

## 机器调试



在操作和服务本机前请仔细阅读操作说明！

仔细检查所装本机之纸箱有无损坏，如有损坏，立即向运送货物相关人员反映。

仔细检查箱内所装之物件，是否完整。如有遗漏请联系威霸代理商。

纸箱内共有物件：

- 洗地毯机
- 手耙组件
- 喉管组件



使用和服务本机前，请仔细地阅读说明书！

1. 用喉管或桶向水箱内注入热水，最大容量为 10 加仑。
2. 加入代理商推荐的清洁剂。



勿使用易燃液体或在易燃液体或蒸汽附近操作！！！！

3. 将延长电源线连接到机器上，将电源线插头插入带接地的电源插座内。
4. 脚踩机器后面的脚踏板，将刷头放于地面。

## 操作说明

### 洗地毯前

1. 检查电源线和延长电源线是否损坏，必要时更换。
2. 在清洗地毯前先将地毯上的垃圾清除。

### 洗地毯

1. 打开吸力泵 / 清水泵开关。  
注：只有按下刷子 / 喷水按钮后，才开始喷水。
2. 开始洗地毯时，按下刷子 / 喷水开关，往后拖动机器。  
注：为取得最好的清洗效果，以每 15 秒 10feet 的速度清洗。
3. 清洗完毕，释放刷子 / 喷水按钮，继续在清洗道上后拖 12inches，吸去剩余的溶液。
4. 机器往后倾斜，向前推动机器开始清洗另外的区域。

### 操作提示

1. 清洗道之间需交叠清洗，交叠区域大约 2 inches。
2. 远离电源插座和电源线以免损坏电源线。
3. 不断地检查污水箱内是否有过多泡沫，使用代理商推荐的除泡剂。  
注：过多的泡沫将使机器的浮球装置不能起作用，且会损坏吸力马达。
4. 对特别污脏之区域需进行重复清洗。
5. 若刷子停止旋转，刷子上可能有阻塞物，拔掉电源线，将刷子提起，使其离开地面，检查刷子有无阻塞物，并复位过载保护器。
6. 当污水溶液满了或清水箱空了时，必须对污水箱排水。

## 使用手耙

注：在清洗家私前应阅读厂家提供的说明书。

1. 取下机器后面靠右边的黑色吸力喉管。
- 在此处安装附件吸力喉管。
2. 在机器后面的快速接头处安装附件清水管。
3. 将手耙与清水管和吸力管连接。
4. 打开吸力泵 / 清水泵开关。
5. 使用手耙清洗。
6. 清洗完毕，关上吸力泵 / 清水泵开关以减小清水管内的水压，然后，捏住拉把 4 秒。

## 排 水

### 清水箱排水

1. 取下机器后面的吸水喉管，在此处安装清水箱专用排水管。
2. 移去清水箱注水口的过滤网，将清水箱专用排水管的一端放于水箱底部。
3. 打开吸力泵 / 清水泵开关，吸去剩余溶液。

### 污水箱排水

1. 关掉机器，拔掉插头，取走电源线。
2. 取下机器后面的放污管，拔出塞子。
3. 将污水排入排水沟。
4. 装上喉管塞，将喉管附在机器后面。

## 维护与保养

按以下方式保养本机以使本机保持良好的性能。



进行任何保养前请务必确认本机已脱离电源！

## 每日维护与保养

1. 当每日清洗完成时，需对污水箱排水，并用清水冲洗污水箱。
  2. 倒掉清水箱内剩余的溶液。
  3. 拆掉浮球装置，并用清水冲洗。
  4. 拆掉并检查喷嘴，必要时用醋酸溶液清洗。
- 注：勿使用尖锐物清洗喷嘴，这样会损坏喷嘴。
5. 检查刷子组件，清除垃圾或地毯纤维。
  6. 检查耙头，清除垃圾或地毯纤维。
  7. 检查耙头上的不锈钢包边，必须全面接触地面。必要时更换。
  8. 使用温和的清洁剂清洗机器。
  9. 检查电源线是否有损坏，必要时更换。

## 月保养

1. 用醋酸溶液清洗水泵和水管组件，以溶解化学物。
  - a) 将大约 16 安士的醋酸与 2 加仑的水稀释后的溶液倒入清水箱。
  - b) 打开吸力泵 / 清水泵开关。
  - c) 机头推至排水沟，操作机器 50 秒。
  - d) 关掉机器，剩余的溶液在机器内直到第二天早晨。
  - e) 第二天，排掉剩余的溶液，再用 3 加仑的清水冲洗。
2. 检查机器是否有渗漏。
3. 润滑轮子。
4. 检查机器是否有螺母，螺丝，螺杆松脱或遗漏。

### 机器储存

1. 在储存机器前，确保清水箱和污水箱已清洁，无溶液。
2. 确保机器直立存放于干燥的场所，刷子悬空。
3. 打开污水箱透视图，以便空气循环。

注：若存放场所极度寒冷，应确保水箱和水管干燥！

**\* 本机器结构如有改动，请以实物为准！！！！**



## 故障排除

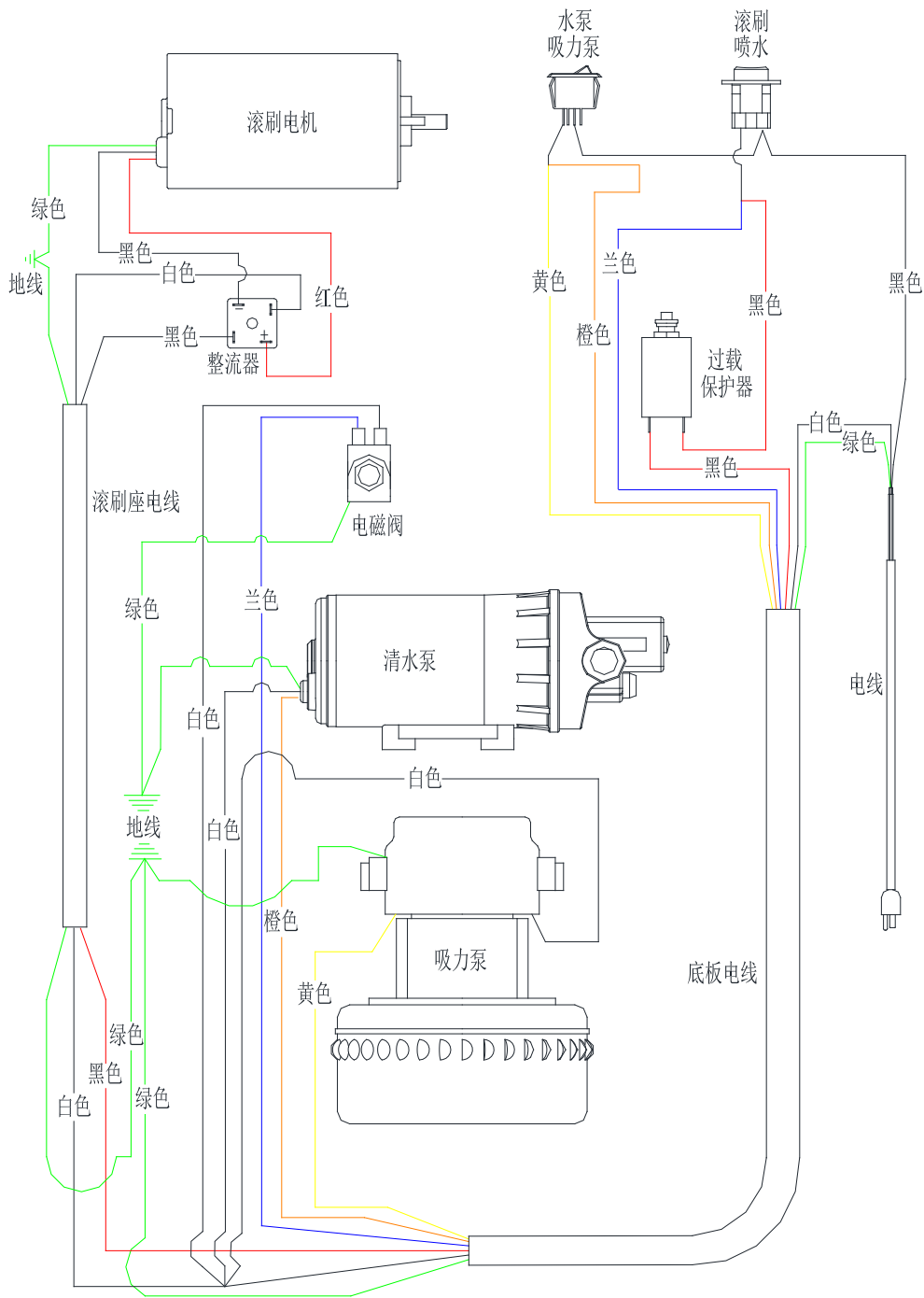
故障	原因分析	解决办法
机器不能运行	未插上电源	插上电源插座
	电源线损坏	联系 ICE 代理商
	延长电源线损坏	更换新的延长电源线
	过载保护器跳闸	复位过载保护器
清水泵不能工作	吸力泵 / 清水泵开关未打开	打开开关
	吸力泵 / 清水泵开关缺陷	联系 ICE 代理商
	电磁阀缺陷	联系 ICE 代理商
	清水泵过热	确定原因，冷却 30 分钟。
吸力马达不能运行	松的或断的电源线	联系 ICE 代理商
	吸力泵 / 清水泵开关未打开	打开开关
	吸力泵 / 清水泵开关缺陷	联系 ICE 代理商
	吸力泵过热跳闸	检查是否有阻塞物，冷却 30 分钟。
	吸力泵缺陷	联系 ICE 代理商
	碳刷磨损	联系 ICE 代理商
吸水性差	松的或断的电源线	联系 ICE 代理商
	吸力窗周围漏气	确保吸力窗安装紧密
	浮球装置阻塞	拆掉浮球装置并清理阻塞物
	启动了浮球装置	污水箱排水
	污水管塞松脱	确保污水管塞紧固
	吸力喉管连接处松脱	确保喉管连接紧固
	吸力管缺陷	更换吸力管
	吸管端驳松脱	确保吸管端驳已拧紧
	吸力耙头上的不锈钢包边损坏或松脱	联系 ICE 代理商
喷水量不均匀或没有	拖动机器太快	放慢操作速度
	清水箱是空的或溶液量很少	注水入清水箱
	吸力泵 / 清水泵开关未打开	打开开关
	喷嘴肮脏或阻塞	清理或更换喷嘴
	喷嘴的尺寸或角度不正确	联系 ICE 代理商
	喷嘴磨损	联系 ICE 代理商
	清水泵缺陷	联系 ICE 代理商
	清水箱滤网阻塞	清理或更换滤网
清水喉管扭结	检查有无阻塞物，整理喉管，必要时更换。	

TECHNICAL DATA	
Model	IE410
Voltage	220V-240V
Power	1680W
Current	7 A
Frequency	50-60Hz
Solution Capacitor	10Gallon
Recovery Capacitor	8Gallon
Vacuum	3000mmH <sub>2</sub> O(120")
Flow rate	2940L/Min(103CFM)
Pump	100 P.S.I
Weight	43KG
Cleaning Path	16"(41CM)
RPM	1/5P 1400RPM
Length of Power cord	15M
Dimensions	92.9cm(L)X41.2cm(W)X89.5cm(H)

# Wiring Diagram

## IE410

三合一抽吸式洗地毯机线路图



## WEAR &amp; TEAR PARTS

DIA NO	PART NUMBER	DESCRIPTION	NO REQ'D
1	2320223	Wheel, 10" 10" 后大轮	2
2	6210412	Brush 滚刷	1
3	6210402	Belt 皮带	1

## 合格证

品名 (ITEM): \_\_\_\_\_

按本产品执行的标准规定检验合格

型号 (MODEL): \_\_\_\_\_

检查员 (QC): \_\_\_\_\_

机身编号 (SN): \_\_\_\_\_

检验日期:

广东国邦清洁设备有限公司

电话 (TEL): (769) 8186 9000 传真 (FAX): (769) 8186 3000