



www.icecompanies.com



使用说明书  
Operator & Parts Manual

专业型吸水吸尘器  
Wet / Dry Vacuum Cleaner



IW90

The  
*Peoples*  
COMPANY

2320601  
REV.02(06-2012)

INTERNATIONAL CLEANING EQUIPMENT

---

## TABLE OF CONTENTS

SAFETY PRECAUTION(In Chinese) . . . . .	2
HANDLE ASSEMBLY . . . . .	3
MACHINE OPERATION & STORAGE(In Chinese). . . . .	4-5
MACHINE COMPONENTS . . . . .	6
PARTS LIST . . . . .	7-13
SAFETY PRECAUTION. . . . .	14
MACHINE OPERATON & STORAGE. . . . .	15-16
SPECIFICATIONS . . . . .	17
WIRING DIAGRAM . . . . .	18
WEAR&TEAR PARTS . . . . .	19

## 安全预防



本机必须接地！

- 1) 当机器发生故障时，有效的接地措施可以保障人身安全，避免电击，任何情况下都不应去除插头上之接地插脚。
- 2) 本机仅作商业用途，仅限于室内使用。敬请使用本机推荐的附件。
- 3) 本机操作者应仔细阅读、理解、遵照以下安全预防措施操作本机。

### 一．以下情况下不得操作本机：

- 1) 未经培训或取得相应的资格；
- 2) 未认真阅读并理解本机操作说明；
- 3) 在易燃易爆场所；
- 4) 插头或电源线存在损伤；
- 5) 机器存在故障隐患而不适宜操作时；
- 6) 户外作业时；
- 7) 在雨水中；
- 8) 无尘隔、袋等过滤装置；
- 9) 使用延长电源线；

### 二．操作本机前：

- 1) 应确保所有安全装置功能正常。

### 三．使用时：

- 1) 勿碾压电源线；
- 2) 不要用拖拉电线的方式移动本机；
- 3) 勿将电源线置于物件锋利的边、角处；
- 4) 切勿用拖拉电线的方式拔取插头；
- 5) 双手潮湿时，勿拔、取插头；
- 6) 勿将电源线置于发热的物件表面；
- 7) 勿吸取燃烧或冒烟的物体如：烟头、火柴或炽热的灰烬；
- 8) 立即向主管反映本机之任何不正常状况；

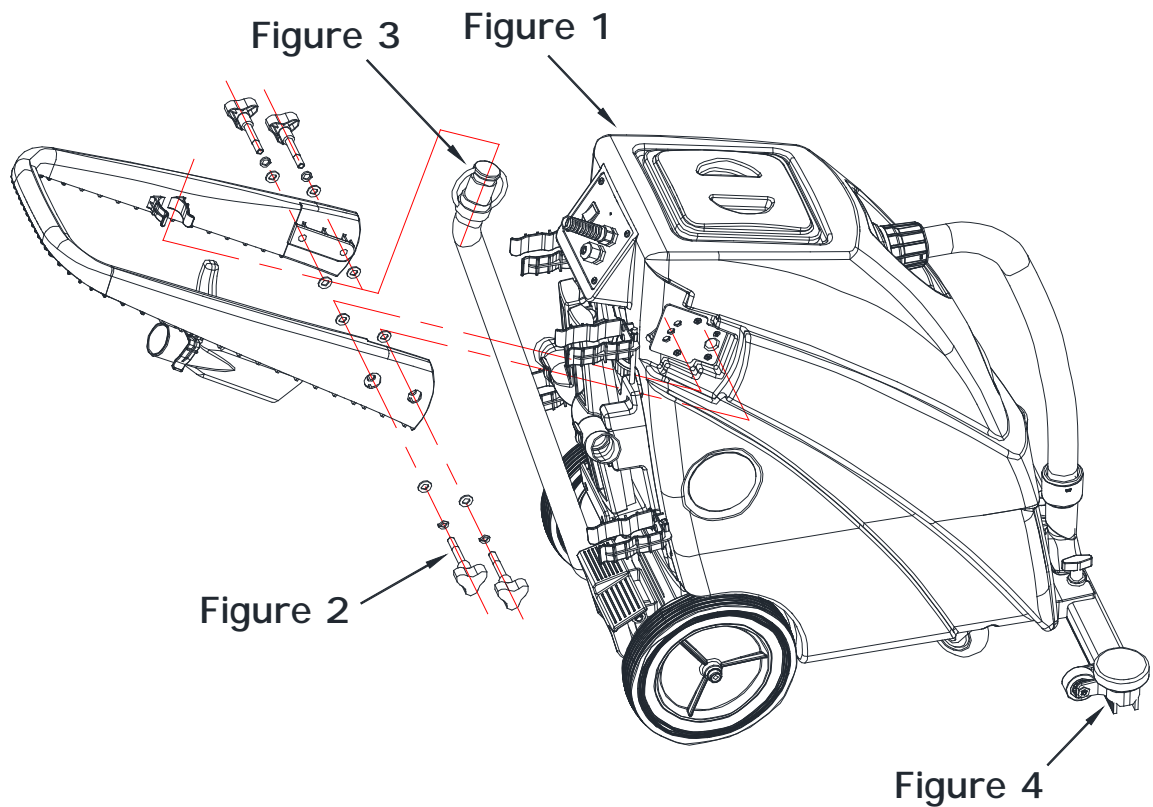
### 四．离开本机或维修前必须：

- 1) 关掉本机；
- 2) 拔除电源插头；

### 维修本机时：

- 1) 必须拔除电源插头；
- 2) 应使用原厂配件；

## Handle Assembly Instructions



### Attaching Handle

1] Remove handle from ship position (Figure 1).

取出手柄(图1)

2] Realign handle as shown and screw knobs (Adjustable handle has three height)(Figure 2).

如图安装手柄,并旋紧旋钮(手柄高度可调节,共有三种高度)(图2)

3] Attach Drain hose (Figure 3).

安装放污管

4] Attach front mount squeegee (Figure 4).

安装前置水刮

## 操作说明


 使用或维护本机前，请仔细阅读本说明书。

### 吸水操作

- 1) 取下透明视污窗，取出尘隔或纸袋；
- 2) 检查浮球确保其动作正常；
- 3) 将透明视污窗放回原处；
- 4) 将吸力喉管与桶身相连接；
- 5) 安装相应的耙头等附件；
- 6) 将插头插入有接地的插座内；

 请勿使用延长线

- 7) 如使用前置水刮，确保该装置位于机器前方；
- 8) 使用前置水刮时，用脚向上踢位于机器后下方的脚踏板将水刮放下与地面接触；
- 9) 将开关置于“开”位置；
- 10) 吸水时，若水满，浮球会堵住吸入口以防止污水进入电机。

 若吸水时产生泡沫，请使用化泡剂化泡，泡沫不会影响浮球的正常动作，但会损坏电机。


- 11) 若想提升水刮，只需用脚踩下脚踏板即可。

### 吸尘操作

- 1) 若机器已用于吸水，必需先排完污水，冲洗干净污水箱，使之完全干燥，并安装吸尘过滤装置。
- 2) 取下透明视污窗，确保过滤器或纸质过滤袋安放正确；

 切勿在无尘隔或纸袋的情况下使用本机

- 3) 将透明视污窗放回原处；
- 4) 连接吸力软管；
- 5) 选择适宜的配件；
- 6) 将电源线插头插入带接地孔的插座内；

 请勿使用延长电线

- 7) 将开关置于“开”位置；
- 8) 为保持最佳效能，当尘袋内灰尘已达 3/4 时，应更换尘袋。

### 清理污水桶

- 1) 拔下电源插头；
- 2) 将机器推至最近的下水道口；
- 3) 取下放污管，移去堵球，将水放出；
- 4) 放完水后，取下透明视污窗，用清水清洗污水桶；
- 5) 堵上堵球，将放污管用桶身后的放污管夹夹紧。

 为防止污水箱有异味，本机不使用时，建议取下透明视污窗，让空气流通。

## 维护与保养

请按以下方式保养本机，以使本机保持良好的性能。进行任何维修、保养前请务必确认本机已脱离电源。

- 1) 每次使用完毕，立即拔除电源插头；
- 2) 检查电源线有无损伤；
- 3) 每月一次用防水润滑油润滑万向轮及后大轮；
- 4) 检查机器螺栓、螺丝有否遗失，必要时更换；
- 5) 检查及清洁滤网；
- 6) 取下吸力软管检查有无阻塞或破损；
- 7) 用中性清洁剂将本机擦拭干净；
- 8) 尘袋、尘隔清洗干净之后，再次使用前必须彻底干燥；
- 9) 用布擦净水刮条；
- 10) 每次使用完毕请清洗污水箱；



如电源线破损、为避免危险，必须联系当地经销商售后服务部进行更换。

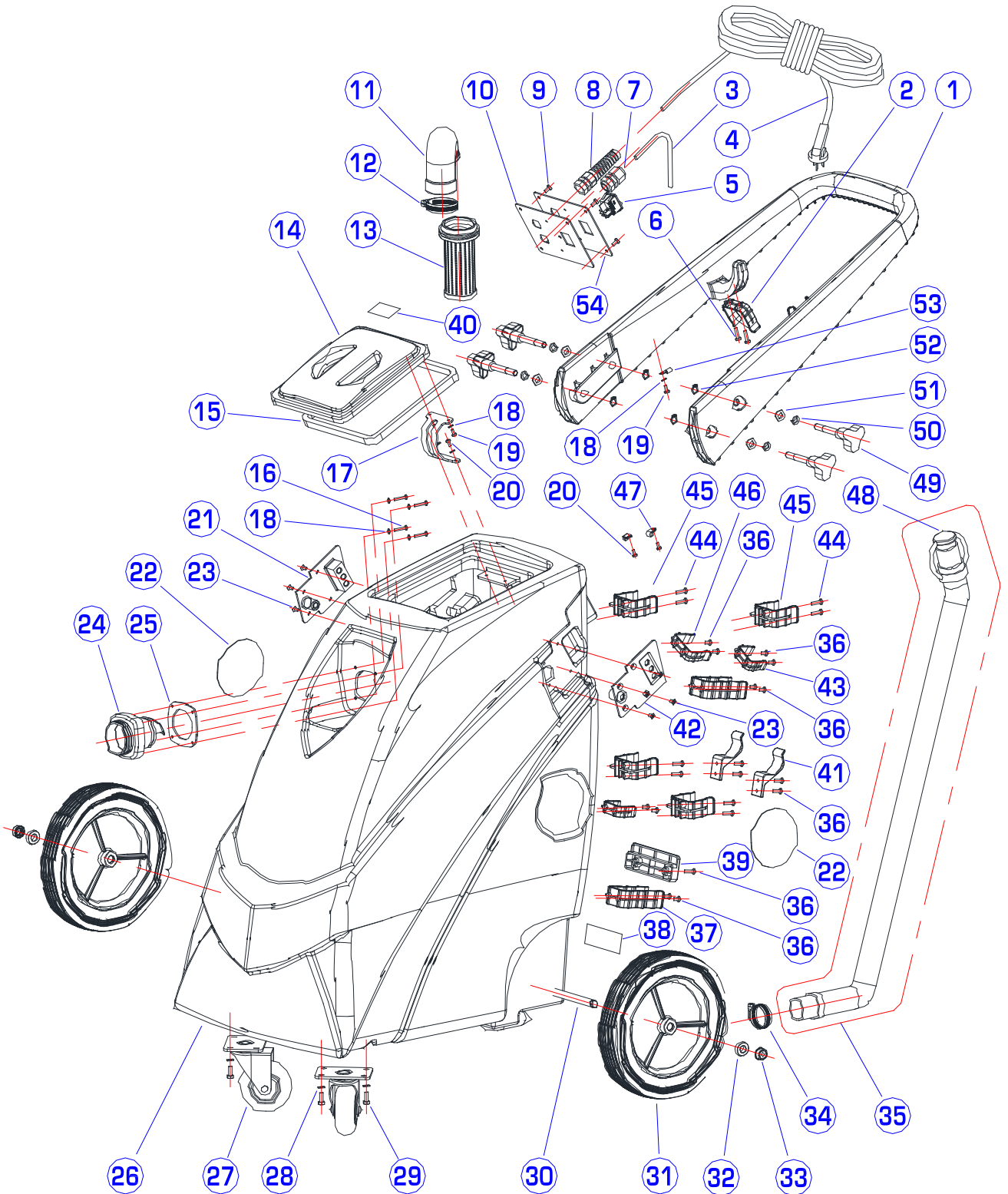
## 储存

- 1) 拔除电源插头；
- 2) 将机器直立存放在干燥的场所；存放时，确保水刮离地；存放时取下透明视污窗，以利桶内空气流通，防止产生异味。

## MACHINE COMPONENTS

- |                |                         |
|----------------|-------------------------|
| 1.Handle       | 2.Crevise Tool          |
| 3.Knob         | 4. 10" Wheel            |
| 5.3.5" Caster  | 6. Front mount squeegee |
| 7.Hose Assy    | 8. Tank                 |
| 9.Clear Window | 10. On/off switch       |
| 11.Drain Hose  | 12. Pedal               |
| 13.Wire Hook   |                         |





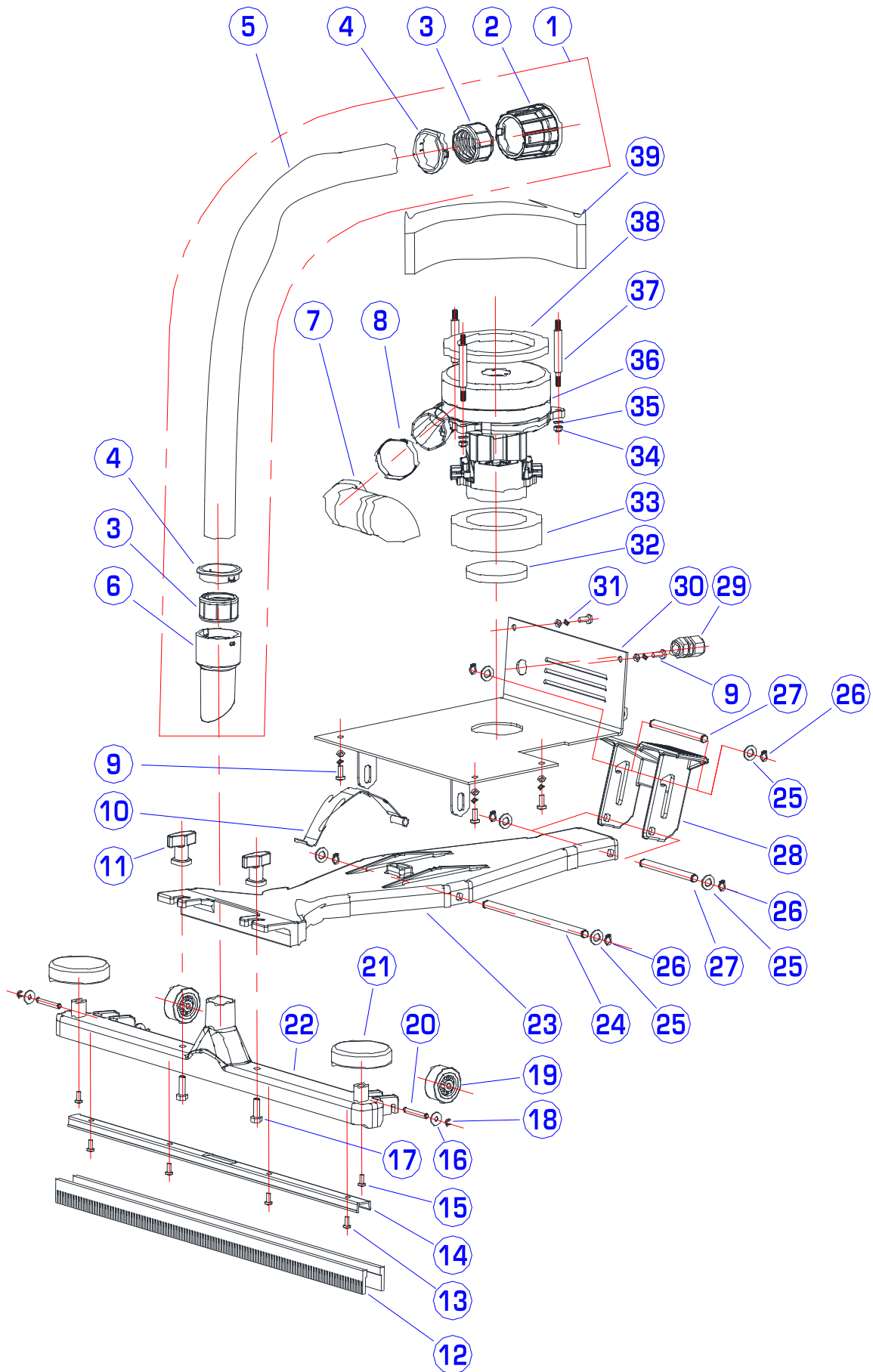


## PARTS LIST

DIA NO	PART NUMBER	DESCRIPTION	NO REQ'D
1	2320202	Handle 手柄	1
2	2310126	Clamp, Crevice 扁嘴夹	1
3	2320405	Cord 电线	1
4	2320404	Power Cord 电源线	1
5	2110108	Switch 开关	1
6	1311325	Screw, ST4.8 X 25 十字平尾自攻丝 ST4.8X25	2
7	2320403	Strain Relief 电缆固定头 (B 型)	1
8	4010310	Strain Relief 外迫式电缆固定头	1
9	1221510	Screw,Ph, M5 X 10 十字盘头螺丝 M5X10	4
10	2320401	Panel, Switch 开关面板	1
11	2320220	Bend 弯接头	1
12	1962051	Clamp, $\Phi 38 \sim \Phi 57$ 喉箍, $\Phi 38 \sim \Phi 57$	1
13	8111015	Float, Shut off 浮球滤网	1
14	2320216	Clear Window 视污窗	1
15	2320218	Gasket, Clear Window 密封垫	1
16	1321225	Screw,Ph,ST4.2 X 25 十字盘头平尾自攻丝 ST4.2 X 25	4
17	2320217	Rubber Hinge 橡胶胶链	1
18	1421409	Washer,Plain, $\Phi 4.3X\Phi 9X0.8$ 不锈钢平垫片 $\Phi 4.3X\Phi 9X0.8$	9
19	1321210	Screw, Ph, St4.2 X9.5 十字盘头尖尾自攻丝 St4.2 X9.5	3
20	1221410	Screw, Ph, M4 X10 十字盘头螺丝 M4X10	4
21	2320241	Bracket,Right,Handle 手柄右联接件	1
22	4010316	Logo 标牌	3
23	1222510	Screw,Fh, M5 X10 十字沉头不锈钢螺丝, M5X10	8
24	2020203	Intake 吸管座	1
25	2020202	Gasket,Intake 密封垫	1
26	2320201	Tank 桶身	1
27	2320210	3.5" Caster 3.5" 万向轮	2
28	1421618	Washer,Plain, $\Phi 6.4X\Phi 18X1.6$ 不锈钢平垫片 $\Phi 6.4X\Phi 18X1.6$	4
29	1021616	Screw,Hex, M6 X16 外六角不锈钢螺丝, M6X16	4
30	2320211	Axle 轮轴	1
31	2320223	Wheel,10" 10" 后大轮	2
32	6160113	Washer,Wheel,Al 轮轴铝垫套	2
33	6110011	Cap,Axle 轴盖帽	2
34	1962050	Clamp, $\Phi 27 \sim \Phi 51$ 喉箍, $\Phi 27 \sim \Phi 51$	1
35	2230130	Drain Hose 放污管总成	1

**PARTS LIST**

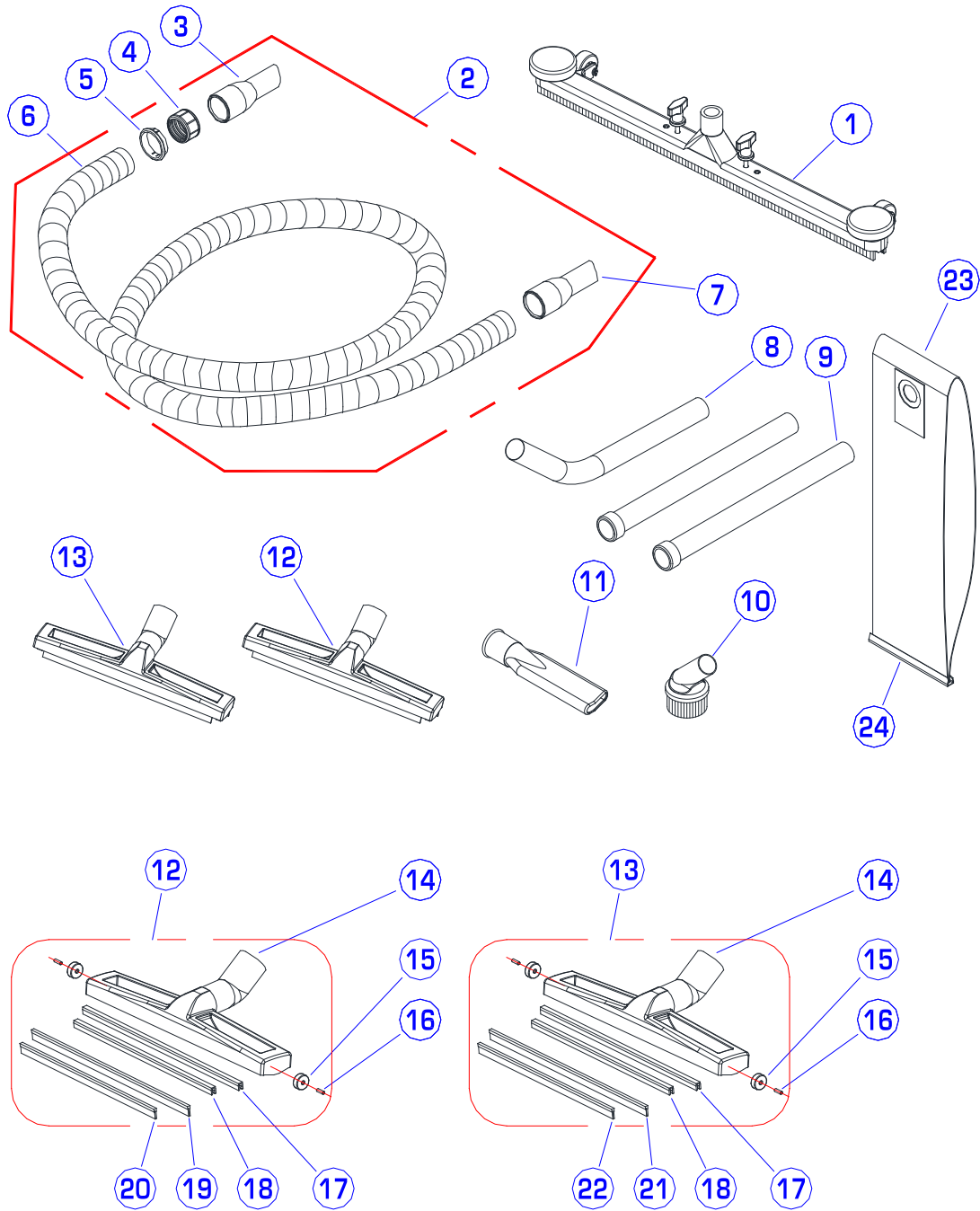
DIA NO	PART NUMBER	DESCRIPTION	NO REQ'D
36	1221514	Screw, Ph, M5 X14 十字盘头螺丝 M5X14	16
37	2310128	Clamp, Straight Tube 直管夹	2
38	2320602	Serial Decal 贴纸	1
39	2310131	Supportor, Pick-up Tool 地耙支撑	1
40	2030409	Warning Decal 警告贴纸	1
41	2310130	Clamp, Pick-up Tool 地耙夹	2
42	2320244	Bracket, Left, Handle 手柄左联接件	1
43	2310127	Clamp, Bend Tube 弯管夹	2
44	1221520	Screw, Ph, M5 X20 十字盘头螺丝 M5X20	8
45	2310125	Clamp, Hose 喉管夹	4
46	2310129	Clamp, Dusting Tool 尘扫夹	1
47	2320236	Clamp, Cord 电线固定夹	1
48	2230131	Plug 放污管堵	1
49	2320219	Knob 七星旋钮	2
50	1432026	Washer, Lock, $\Phi 10$ 弹簧垫圈, $\Phi 10$	4
51	1421020	Washer, Plain, $\Phi 10.5 \times \Phi 20 \times 2$ 不锈钢平垫片 $\Phi 10.5 \times \Phi 20 \times 2$	4
52	1436010	Retaining Ring, $\Phi 10$ 轴用挡圈, $\Phi 10$	2
53	1885701	Ring, $\Phi 4$ $\Phi 4$ 接地端子	1
54	2320402	Decal, Panel 面板贴纸	1



## PARTS LIST

DIA NO	PART NUMBER	DESCRIPTION	NO REQ'D
1	2320500	Hose Assy 水刮吸水喉管总成	1
2	2230121	Machine End 软管接头机器端	1
3	2320501	Threaded Insert 1.5" 软管封头螺母	2
4	2230123	Clip Ring 2寸软管接头锁紧圈	2
5	2320502	Hose 喉管	1
6	2230124	Angeled Hose End, 38mm 喉管长吸咀	1
7	2320208	Acoustic Insulstion Pipe 消音管	1
8	1914300	Tie, Cable 线扎	1
9	1221616	Screw, Ph, M6 X16 十字盘头螺丝 M6X16	5
10	2320214	Leaf Spring 水刮弹簧	1
11	2320304	Knob, Floor Tool 水刮手把	1
12	2320309	26" Blade 26" 水刮条	2
13	1221514	Screw, Ph, M5 X14 十字盘头螺丝 M5X14	4
14	2320303	Clamp, Blade 前置水刮铝压条	1
15	1321310	Screw, Ph, St4.8 X10 十字盘头自攻螺丝 St4.8 X10	2
16	1421618	Washer,Plain,Φ6.4XΦ18X1.6 不锈钢平垫片 Φ6.4XΦ18X1.6	4
17	1021825	Screw,Hex, M8 X25 外六角螺丝 M8X25	2
18	1439005	Retaining Ring, Φ5 开口挡圈, Φ5	4
19	2320308	2" Wheel 2" 轮子	2
20	2320306	Axle, 2" Wheel 水刮轮轴	2
21	2320302	Bumper 防护圈	2
22	2320301	26" Body,Pick-Up Tool 水刮架	1
23	2320215	Mounting Plate, Floor Tool 连接板	1
24	2320212	Axle, Mounting Plate 中间轴	1
25	1421020	Washer,Plain,Φ10.5XΦ20X2 不锈钢平垫片 Φ10.5XΦ20X2	6
26	1436010	Retaining Ring, Φ10 轴用挡圈, Φ10	6
27	2320213	Axle, Pedal 销轴	2
28	2320209	Pedal 脚踏板	1
29	2320403	Strain Relief 电缆固定头(B型)	1
30	2320203	Bottom Plate, Assy 底板总成	1
31	1422616	Washer, Lock,Φ6 弹簧垫圈,Φ6	5
32	2310123	Filter 海棉滤网	1
33	2310118	Gasket 密封垫	1
34	1123608	Nut, Lock, M6 不锈钢六角防松螺母, M6	3
35	1421617	Washer,Plain,Φ6.2XΦ16X2 不锈钢平垫片 Φ6.2XΦ16X2	11
36	2310115	Vac Motor,3-Stg,220V 吸力泵,三级,220V	1
37	2310122	Stud 长螺杆	1
38	2310116	Gasket,Vac Motor 密封垫	1
39	2310120	Screen 消音棉	1

ACCESSORIES



## PARTS LIST

DIA NO	PART NUMBER	DESCRIPTION	NO REQ'D	
1	2320300	26" Front Mount Squeegee Assy	26" 前置水刮组件	1
2	2330120	Hose, Vacuum Assy	吸管总成	1
3	2230124	Angeled Hose End, 38mm	喉管长吸咀	1
4	2230122	Threaded Insert	1.5" 软管封头螺母	1
5	2230123	Clip Ring	2 寸软管接头锁紧圈	1
6	2330122	Hose	喉管	1
7	2330121	Hose End	连接端驳	1
8	2230115	Wand	不锈钢吸管(弯)	1
9	2230116	Tube, SST	不锈钢吸管	2
10	2230126	Dusting Tool	尘扫	1
11	2230127	Crevice Tool	长耙	1
12	2230106	Dry Pick-Up Tool, 360mm	吸尘耙总成, 360mm	1
13	2230107	Wet Pick-Up Tool, 360mm	吸水耙总成, 360mm	1
14	2230117	Body, Pick-Up Tool 360mm	360mm 耙体, 黑色	1
15	2130101	Wheel, Assy	耙头小轮总成	2
16	2130101	Axle, Wheel	滚轮芯轴	2
17	2230109	Seat, Rubber Blades, Back	耙头后刮座	1
18	2230110	Seat, Rubber Blades, Back	耙头前刮座	1
19	2230111	Brush Strip, Back	后毛刷条	1
20	2230112	Brush Strip, Front	前毛刷条	1
21	2230113	Rubber Blade, Back	吸水后胶条	1
22	2230114	Rubber Blade, Front	吸水前胶条	1
23	2330130	Cloth Bag(optional)	布尘袋(可选件)	1
24	2330131	Clip, Cloth Bag(optional)	布尘袋夹条(可选件)	1

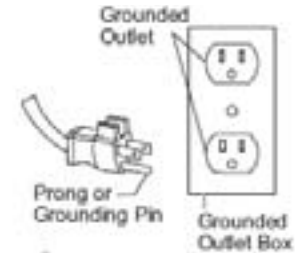
## SAFETY PRECAUTION



Carefully read and understand this manual before operating this machine.  
This machine must be grounded!

This machine shall be grounded while in use to protect the operator from electric shock. Grounding provides a path of least resistance for electric current. This machine is equipped with a cord having an equipment-grounding conductor and grounding plug. The plug must be plugged into an appropriate outlet that is properly installed and grounded in accordance with all local codes and ordinances. Do not remove the ground pin under any circumstances.

This machine is for use on a nominal 220-volt circuit and has a grounding plug that resembles the plug illustrated in Figure. Make sure that the machine is connected to an outlet having the same configuration as the plug. No adapter should be used with this machine.



This machine is intended for commercial use. It is constructed for use in an indoor environment and is not intended for any other use. Use only recommended accessories.

1. Do not operate machine:

- Unless trained and authorized.
- In flammable or explosive areas.
- With a damaged cord or plug
- If not in proper operating condition.
- Unless you have read and understand the operators manual.
- With the use of extension cords.
- In outdoor areas and standing water.

2. Before operating machine:

- Make sure all safety devices are in place and operating properly.

3. When using machine:

- Do not run machine over cord.
- Do not pull cord around sharp edges or corners.
- Do not handle plug with wet hands.
- Report machine damage or faulty operation immediately.
- Do not pull machine by cord or plug.
- Do not unplug by pulling on the cord.
- Do not stretch cord.
- Keep cord away from heated surfaces.

4. Before leaving or servicing machine:

- Turn off machine.
- Unplug cord from outlet.


5. When servicing machine:

- Unplug cord from outlet.
- Use manufacturer supplied or approved replacement parts.



To avoid electrical shock, please replace the power cord immediately if any damage is being detected. The replacement must be performed only by an authorized person or by our customer service center.

## Operation of Wet & Dry Vacuum

 Read operators manual thoroughly prior to operating or servicing this machine.


Be sure that the handle is properly assembled on machine body prior to operating .

### Wet Operation

- 1) Remove clear window and remove the cloth or paper filter form vacuum.
- 2) While clear window is removed, check to make sure that the float shut-off is unobstructed and fully functional.
- 3) Replace clear window on the top of the recovery tank.
- 4) Connect vacuum hose to inlet on the machine body.
- 5) Attach appropriate accessory tool for the job to be completed.
- 6) Make sure the Main Power Switch is in the OFF position, then plug power cord into a grounded outlet.

 Do not use an extension cord in conjunction with the standard power cord.

- 7) If using the front-mounted squeegee assembly, be sure that squeegee is attached to front of machine.
- 8) If using the front-mounted squeegee assembly, lower squeegee to the floor by depressing the left half of the pedal [rear of the machine] forward with your foot.
- 9) Turn power switch to “on” position.
- 10) During wet pickup, the float shut-off will automatically prevent water from entering the recovery tank once the recovery tank is full.


 If foam develops in the recovery tank during wet vacuuming, use de-foamer chemical to help eliminate the foam. Foam will not activate the float shut-off, and therefore, may cause vacuum motor damage.

- 11) To raise the squeegee assembly back to transport position, depress the right half of the pedal (rear of the machine) downward with your foot.


### Dry Operation

- 1) If the machine has been used for wet pick-up, empty the Recovery Tank, rinse it out and dry it completely and install the Dry Container System. DO NOT use the machine for dry pick-up without the Dry Container System in place.
- 2) Remove clear window, and be sure the cloth or paper filter is properly installed.



 Do not operate machine without bag or filter properly installed.


- 3) Replace clear window on the top of the recovery tank.
- 4) Connect vacuum hose to inlet on the machine body.
- 5) Attach appropriate accessory tool for the job to be completed.
- 6) Make sure the Main Power Switch is in the OFF position, then plug power cord into a grounded outlet.

 Do not use an extension cord in conjunction with the standard power cord.

- 7) Turn power switch to “on” position.
- 8) Check the filter bag periodically to see if it is full. For optimal performance, replace bag when it is 3/4 full.


### DRAINING THE RECOVERY TANK

- 1) Unplug machine from power outlet.
- 2) Transport machine to nearest floor drain or bucket.
- 3) Remove drain hose from rear of machine. Remove ball plug from drain hose, and drain the contents of the tank.
- 4) After the contents have drained, remove the clear window and rinse recovery tank with clean water.
- 5) Replace the ball plug on the drain hose and hang hose back on the rear of the machine.

 To prevent odors in the recovery tank, remove the vacuum head when machine is not in operation to allow air to circulate.

### MAINTENANCE

To keep the machine performing well for many years, please follow the following maintenance procedures.

 Always confirm that the machine is unplugged prior to performing any maintenance or repairs.

- 1) Unplug machine as soon as you are done using it.
- 2) Check power cord for any damage. If any damage is detected, replace the cord immediately.
- 3) Lubricate casters with a water resistant lubricant every month
- 4) Check machine for loose or missing nuts and bolts, and replace as necessary.
- 5) Check the filter, and clean it after each use
- 6) Remove the vacuum hose and check it for any holes and clogs
- 7) Clean the outside of the machine with a mild cleaner

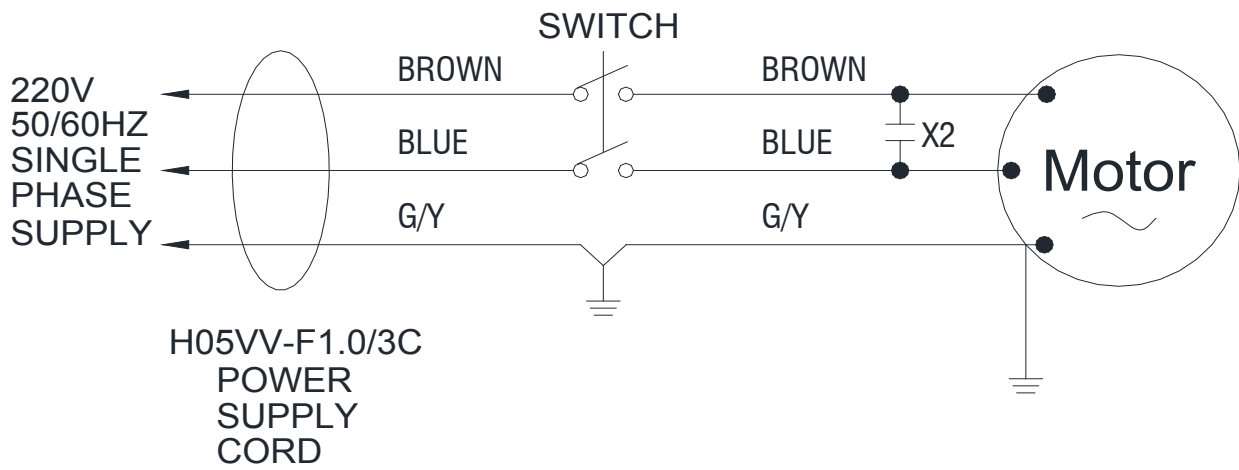
### STORAGE

- 1) Unplug machine from power source and wrap cord on handle.
- 2) Store in upright position in a dry area.
- 3) Store with squeegee assembly off the ground.
- 4) Store with clear window off unit so that tank may breathe.

TECHNICAL DATA	
Model	IW90
Voltage	220V-240V
Power	1200W
Current	5.1 A
Frequency	50-60Hz
Capacitor	90L
Vacuum	3000mmH <sub>2</sub> O(120")
Flow rate	2700L/Min(95CFM)
Sound pressure level at workstation	70 dB(A)
Weight	40kg
Length of Power cord	15m
Dimensions	117.6cm(L)X45.3cm(W)X110cm(H)

# Wiring Diagram

## IW90



## WEAR &amp; TEAR PARTS

DIA NO	PART NUMBER	DESCRIPTION		NO REQ'D
1	2320210	3.5" Caster	3.5" 万向轮	2
2	2320223	Wheel, 10"	10" 后大轮	2
3	2320309	26" Blade	26" 水刮条	2
4	2320308	2" Wheel	2 " 轮子	2
5	2310123	Filter	海棉滤网	1
6	2230113	Rubber Blade, Back	吸水后胶条	1
7	2230114	Rubber Blade, Front	吸水前胶条	1

## 合格证

品名 (ITEM): \_\_\_\_\_

按本产品执行的标准规定检验合格

型号 (MODEL): \_\_\_\_\_

检查员 (QC): \_\_\_\_\_

机身编号 (SN): \_\_\_\_\_

检验日期:

广东国邦清洁设备有限公司

电话 (TEL): (769) 8186 9000 传真 (FAX): (769) 8186 3000