



www.icecompanies.com

Parts Replacement Manual

Automatic Scrubber



i36BT
i36BT-CY

8230901
REV.01(02-2018)

INTELLIGENT CLEANING EQUIPMENT

READ OPERATOR MANUAL CAREFULLY!

IMPORTANT: To ensure full warranty protection, please fill out & return your warranty card.

Please fill out at time of installation for future reference.

Model No. _____

Serial No. _____

Machine Options _____

Sales Rep. _____

Sales Rep. Phone No. _____

Customer ID Number _____

Installation Date _____

HOW TO ORDER PARTS

Only use ICE Company supplied or equivalent parts. Parts and supplies may be ordered online, by phone, by fax or by mail.

1. Identify the machine model.
2. Identify the machine serial number from the data label.
3. Ensure the proper serial number is used from the parts list.
4. Identify the part number and quantity.
Do not order by page or reference numbers.
5. Provide your name, company name, customer ID number, billing and shipping address, phone number and purchase order number.



PROTECT THE ENVIRONMENT

Please dispose of packaging materials, old machine components such as batteries, hazardous fluids, including antifreeze and oil, in an environmentally safe way according to local waste disposal regulations.



Always remember to recycle.

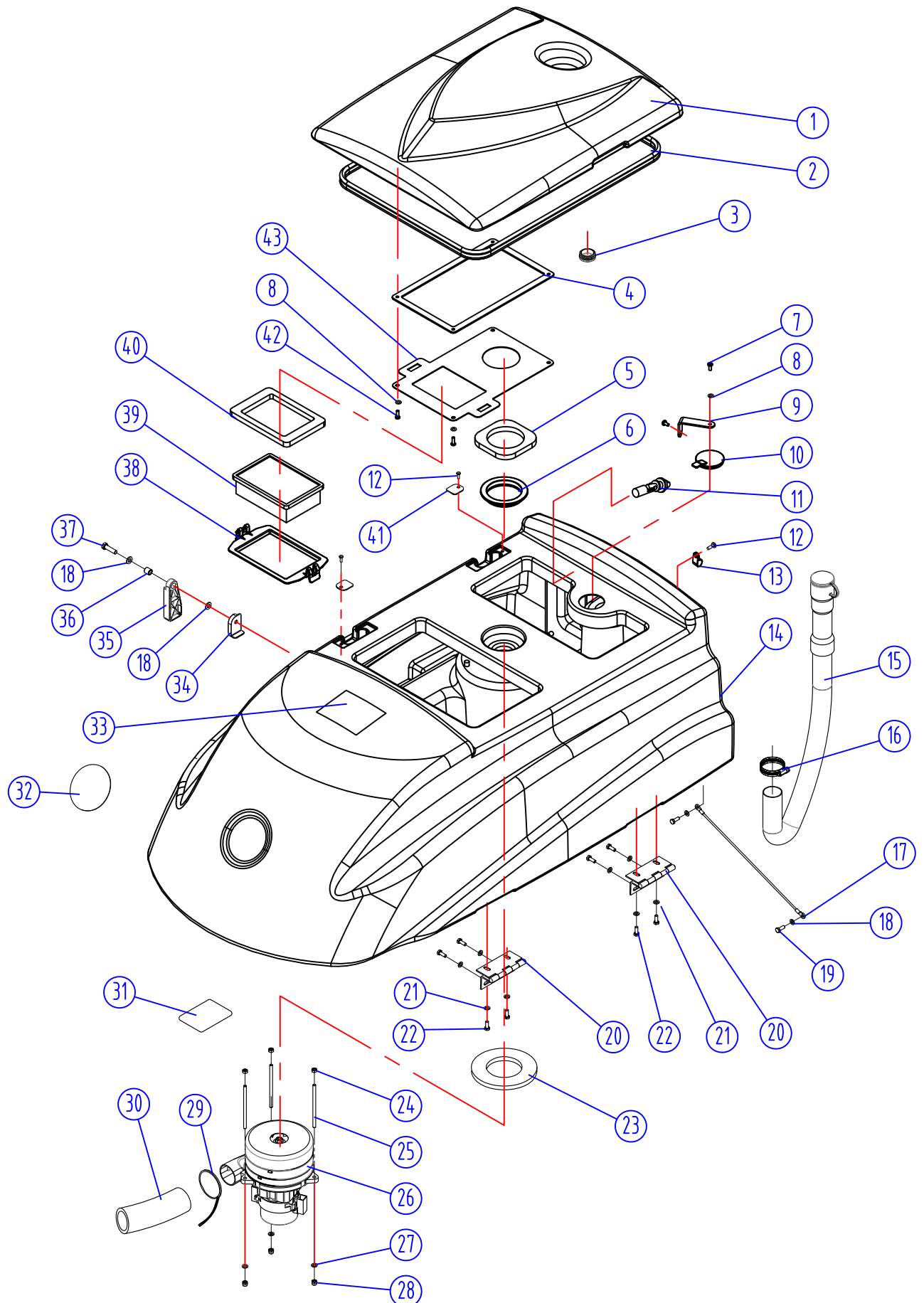
ICE Company Limited
XiangShi Road LiaoBu DongGuan GuangDong China
Tel: 0769 - 81850061
Fax: 0769 - 81850001

Specifications and parts are subject to change without notice.

TABLE OF CONTENTS

RECOVERY TANK GROUP (S/N.XXXXXX-XXXXXX).....	4
RECOVERY TANK GROUP (S/N.XXXXXX-XXXXXX).....	6
SOLUTION TANK GROUP(S/N.XXXXXX-XXXXXX).....	8
SOLUTION TANK GROUP(S/N.XXXXXX-XXXXXX).....	11
FRAME & DRIVE GROUP(S/N.XXXXXX-XXXXXX).....	14
FRAME & DRIVE GROUP(S/N.XXXXXX-XXXXXX).....	16
SCRUB HEAD GROUP (S/N.XXXXXX-XXXXXX).....	18
SCRUB HEAD LIFT GROUP (S/N.XXXXXX-XXXXXX).....	20
SQUEEGEE GROUP(S/N.XXXXXX-XXXXXX).....	22
SQUEEGEE GROUP(S/N.XXXXXX-XXXXXX).....	24
SQUEEGEE GROUP(S/N.XXXXXX-XXXXXX)	26
SOLUTION GROUP(S/N.XXXXXX-XXXXXX)	28
CONTROL CONSOLE GROUP(S/N.XXXXXX-XXXXXX)	30
CYLINDRICAL SCRUB HEAD GROUP(S/N.XXXXXX-XXXXXX)	33
CYLINDRICAL SCRUB HEAD DRIVE GROUP(S/N.XXXXXX-XXXXXX)	35
WIRING DIAGRAM(S/N.XXXXXX-XXXXXX).....	37

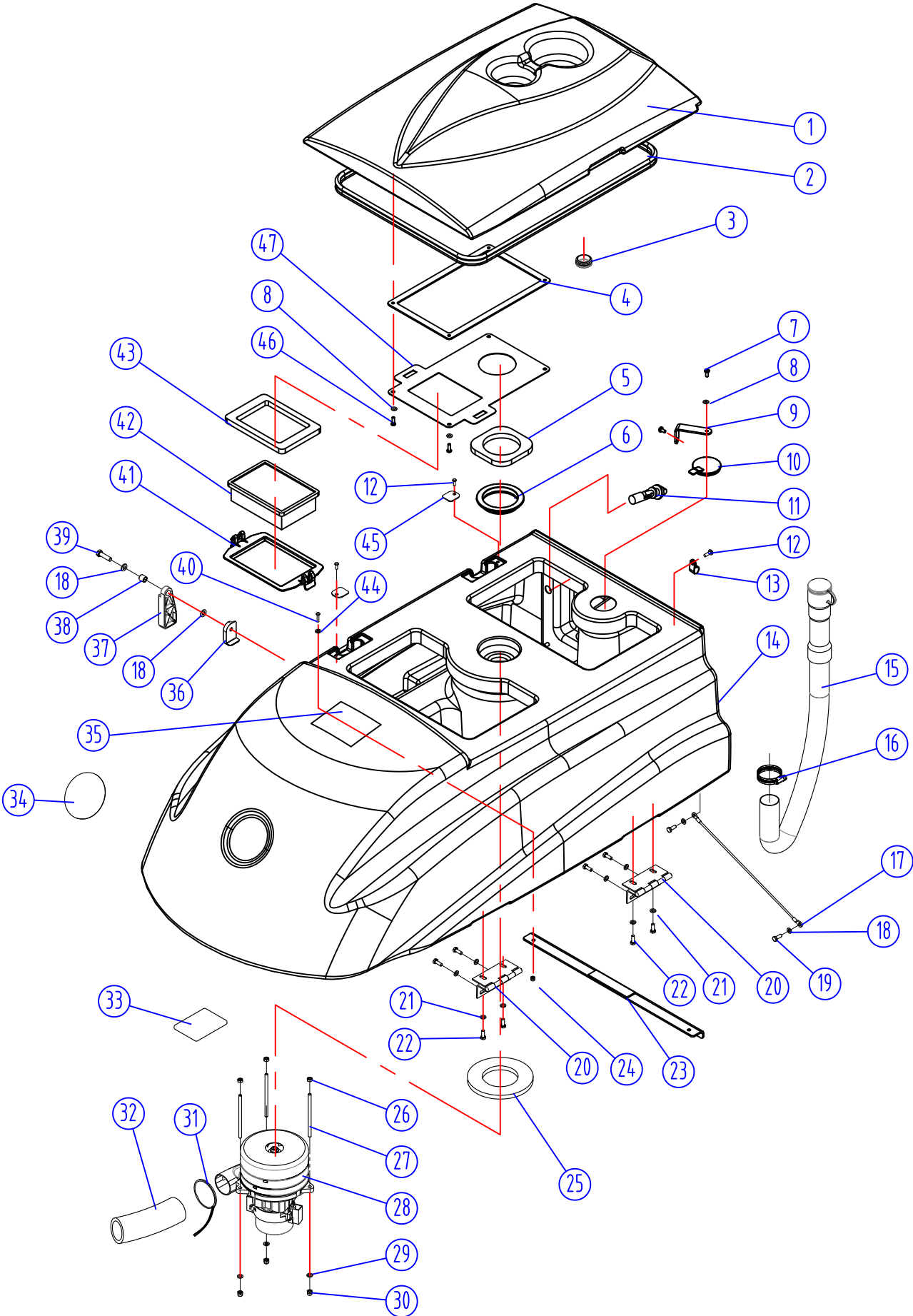
RECOVERY TANK GROUP



RECOVERY TANK GROUP

DIA NO	PART NUMBER	SERIAL NUMBER	DESCRIPTION	NO REQ'D
1	8230103	000103-	RECOVERY TANK COVER	1
2	8230201	000103-	SEAL	1
3	8011005	000103-	CAP	1
4	8230209	000103-	GASKET	1
5	8230208	000103-	GASKET, SCREEN	1
6	8230204	000103-	SCREEN	1
7	1321213	000103-	SELF-TAPPING SCREW,ST4.2 X 13	2
8	1421510	000103-	WASHER,M5 X 10 X 1	9
9	8113007	000103-	STRIP	1
10	8131003	000103-	CAP	1
11	8310238	000103-	SENSOR, LEVEL, LIQUID,	1
12	1221512	000103-	SCREW,M5X12	3
13	8113009	000103-	CLAMP	1
14	8230102	000103-	RECOVERY TANK	1
15	8131010	000103-	DRAIN HOSE	1
16	1962050	000103-	CLAMP	1
17	8230205	000103-	CABLE	1
18	1421816	000103-	FLAT WASHER,M8 X 16 X 1.6	4
19	1021820	000103-	HEX BOLT,M8 X 20	2
20	8111300	000103-	HINGE ASSEMBLY	2
21	1421618	000103-	FLAT WASHER,M 6 X 18 X 1.6	8
22	1021616	000103-	HEX BOLT,M6 X 16	8
23	8112005	000103-	GASKET, VACUUM MOTOR	1
24	1121605	000103-	HEX NUT,M6	3
25	8210209	000103-	STUD,M6 X 110	3
26	8230200	000103-	3 STAGE VACUUM MOTOR,36VDC,640W,KIT	1
27	1421612	000103-	FLAT WASHER,M6 X 12 X 1.6	5
28	1123608	000103-	LOCK NUT,M6	3
29	1914300	000103-	TIE, NYLON, 5 X 300	1
30	8132007	000103-	MUFFLER, VACUUM MOTOR	1
31	8230126	000103-	LABEL, BATTERY INSTALLATION	1
32	4010316	000103-	ICE LOGO	1
33	8111022	000103-	WARNING LABEL	1
34	8111008	000103-	BRACKET	1
35	8111007	000103-	RECOVERY TANK SUPPORT	1
36	8115404	000103-	SLEEVE, P/M	1
37	1021830	000103-	HEX BOLT,M8 X 30	1
38	8230210	000103-	BRACKET,FILTER	1
39	8310237	000103-	FILTER,DUST	1
40	8310230	000103-	GASKET,FILTER	1
41	8111016	000103-	PLATE	2
42	1221510	000103-	SCREW,M5 X 10	7
43	8230207	000103-	PLATE	1

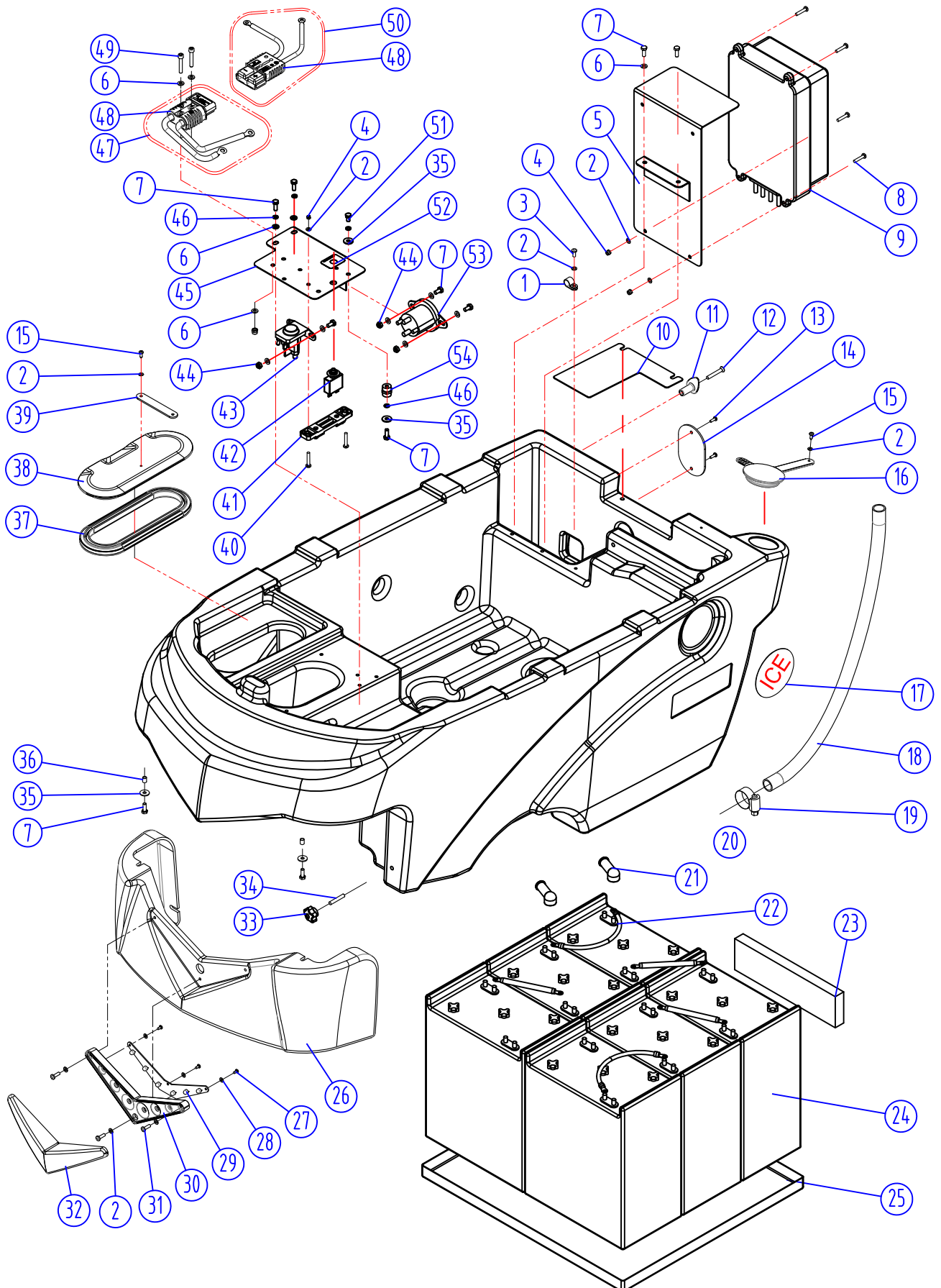
RECOVERY TANK GROUP



RECOVERY TANK GROUP

DIA NO	PART NUMBER	SERIAL NUMBER	DESCRIPTION	NO REQ'D
1	8230103	000103-	RECOVERY TANK COVER	1
2	8230201	000103-	SEAL	1
3	8011005	000103-	CAP	1
4	8230209	000103-	GASKET	1
5	8230208	000103-	GASKET, SCREEN	1
6	8230204	000103-	SCREEN	1
7	1321213	000103-	SELF-TAPPING SCREW,ST4.2 X 13	2
8	1421510	000103-	WASHER,M5 X 10 X 1	9
9	8113007	000103-	STRIP	1
10	8131003	000103-	CAP	1
11	8310238	000103-	SENSOR, LEVEL, LIQUID,	1
12	1221512	000103-	SCREW,M5X12	3
13	8113009	000103-	CLAMP	1
14	8230102	000103-	RECOVERY TANK	1
15	8131010	000103-	DRAIN HOSE	1
16	1962050	000103-	CLAMP	1
17	8230205	000103-	CABLE	1
18	1421816	000103-	FLAT WASHER,M8 X 16 X 1.6	4
19	1021820	000103-	HEX BOLT,M8 X 20	2
20	8111300	000103-	HINGE ASSEMBLY	2
21	1421618	000103-	FLAT WASHER,M 6 X 18 X 1.6	8
22	1021616	000103-	HEX BOLT,M6 X 16	8
23	8230135	000143-	BRACKET,RECOVERY TANK	1
24	1123507	000103-	LOCK NUT,M5	2
25	8112005	000103-	GASKET, VACUUM MOTOR	1
26	1121605	000103-	HEX NUT,M6	3
27	8210209	000103-	STUD,M6 X 110	3
28	8230200	000103-	3 STAGE VACUUM MOTOR,36VDC,640W,KIT	1
29	1421612	000103-	FLAT WASHER,M6 X 12 X 1.6	5
30	1123608	000103-	LOCK NUT,M6	3
31	1914300	000103-	TIE, NYLON, 5 X 300	1
32	8132007	000103-	MUFFLER, VACUUM MOTOR	1
33	8230126	000103-	LABEL, BATTERY INSTALLATION	1
34	4010316	000103-	ICE LOGO	1
35	8111022	000103-	WARNING LABEL	1
36	8111008	000103-	BRACKET	1
37	8111007	000103-	RECOVERY TANK SUPPORT	1
38	8115404	000103-	SLEEVE, P/M	1
39	1021830	000103-	HEX BOLT,M8 X 30	1
40	1221510	000103-	SCREW,M5 X 20	2
41	8230210	000103-	BRACKET,FILTER	1
42	8310237	000103-	FILTER,DUST	1
43	8310230	000103-	GASKET,FILTER	1
44	1421511	000103-	FLAT WASHER,M5 X 12 X 1	2
45	8111016	000103-	PLATE	2
46	1221510	000103-	SCREW,M5 X 10	6
47	8230207	000103-	PLATE	1

SOLUTION TANK GROUP



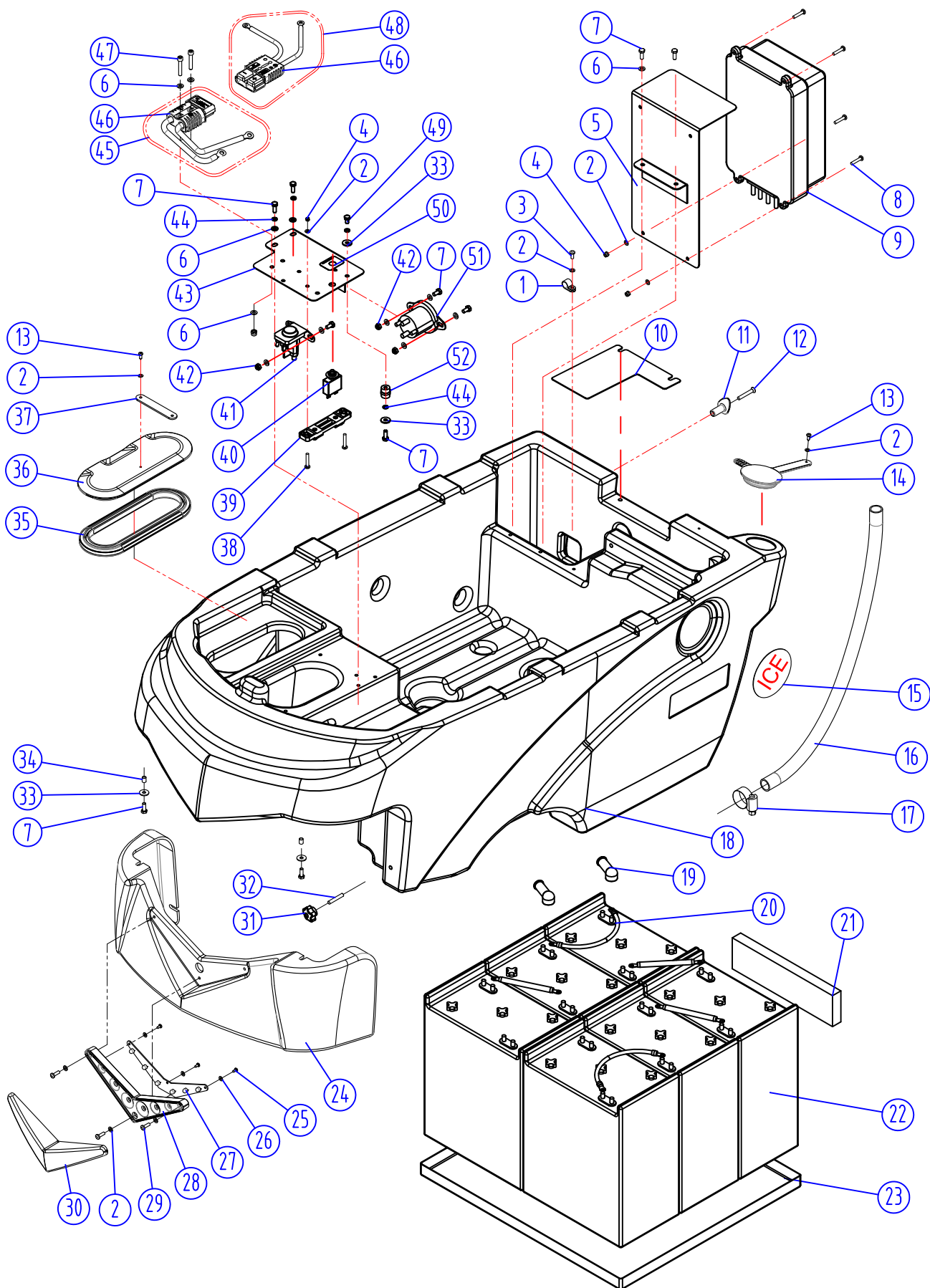
SOLUTION TANK GROUP

DIA NO	PART NUMBER	SERIAL NUMBER	DESCRIPTION	NO REQ'D
1	6210131	000103-	NYLON, CLAMP	6
2	1421510	000103-	FLAT WASHER,M5 X 10 X 1	20
3	1221512	000103-	SCREW,M5 X 12	9
4	1123507	000103-	LOCK NUT,M5	6
5	8230114	000103-	BRACKET, ON BOARD CHARGER	1
6	1421612	000103-	FLAT WASHER,M6 X 12 X 1.6	14
7	1021616	000103-	HEX BOLT,M6 X 16	12
8	1221525	000103-	SCREW,M5 X 25	4
9	8230117	000103-	ON BOARD CHARGER,36VDC,KIT [US]	1
10	8230127	000103-	PLATE	1
11	8210112	000103-	HOOK, CORD	2
12	1222641	000103-	SCREW,M6 X 40	2
13	1221412	000103-	SCREW,M4 X 12	2
14	8210114	000103-	COVER	1
15	1321213	000103-	SELF-TAPPING SCREW,ST4.2 X 13	2
16	8210113	000103-	CAP, SOLUTION FILL	1
17	4010316	000103-	ICE LOGO	2
18	8230140	000103-	CLEAN TUBING	1
19	1962025	000103-	CLAMP,16 - 25mm	1
20	8230101	000103-	SOLUTION TANK	1
21	8114751	000103-	JACKET, BATTERY TERMINAL, BLACK	12
22	8230705	000103-	BATTERY CONNECT CABLE, BLACK	5
23	8113013	000103-	SPACER, BATTERY	4
24	8210105	000103-	BATTERY, 260AH @ 20Hr	6
25	8230121	000103-	BATTERY TRAY	1
26	8230104	000103-	COVER, FRONT	1
27	1321110	000103-	SELF-TAPPING SCREW,ST3.5 X 10	3
28	1421409	000103-	FLAT WASHER,M4 X 9 X 0.8	3
29	8230750	000103-	LED LIGHT,36V,KIT	1
30	8133601	000103-	LED LIGHT MOUNTING BASE	1
31	1221520	000103-	SCREW,M5 X 20	3
32	8133602	000103-	LED LIGHT COVER	1

SOLUTION TANK GROUP

DIA NO	PART NUMBER	SERIAL NUMBER	DESCRIPTION	NO REQ'D
33	8210518	000103-	KNOB, M8	2
34	1535830	000103-	SET SCREW,M8 X 30	2
35	1421618	000103-	PLAIN WASHER ,M6 X 18 X 1.6,SS	6
36	8113112	000103-	BUSHING	2
37	8113030	000103-	SEAL	1
38	8113002	000103-	COVER	1
39	8113007	000103-	STRAP	1
40	1221520	000103-	SCREW,M5 X 20	2
41	8230711	000103-	CURRENT TRANSFORMER, 50A	1
42	8114703	000103-	CIRCUIT BREAKER, 35A	1
43	8230708	000103-	SOLENOID SWITCH,36VDC	1
44	1123608	000103-	LOCK NUT,M6	4
45	8230128	000103-	BRACKET, SOLENOID SWITCH	1
46	1422616	000103-	LOCK WASHER, M6	6
47	8230707	000103-	KIT,BATTERY CONNECT CABLE	1
48	8230714	000103-	CONNECTOR, SB175-GREY	2
49	1521635	000103-	SCREW, HEX SOCKET, M6 X 35	2
50	8230706	000103-	KIT,BATTERY CONNECT CABLE	1
51	1021610	000103-	HEX BOLT,M6 X 10	2
52	8144024	000103-	LABEL,CIRCUIT BREAKER	2
53	8230702	000103-	SOLENOID SWITCH,36VDC	1
54	8114705	000103-	STAND-OFF, M6, RED	2

SOLUTION TANK GROUP



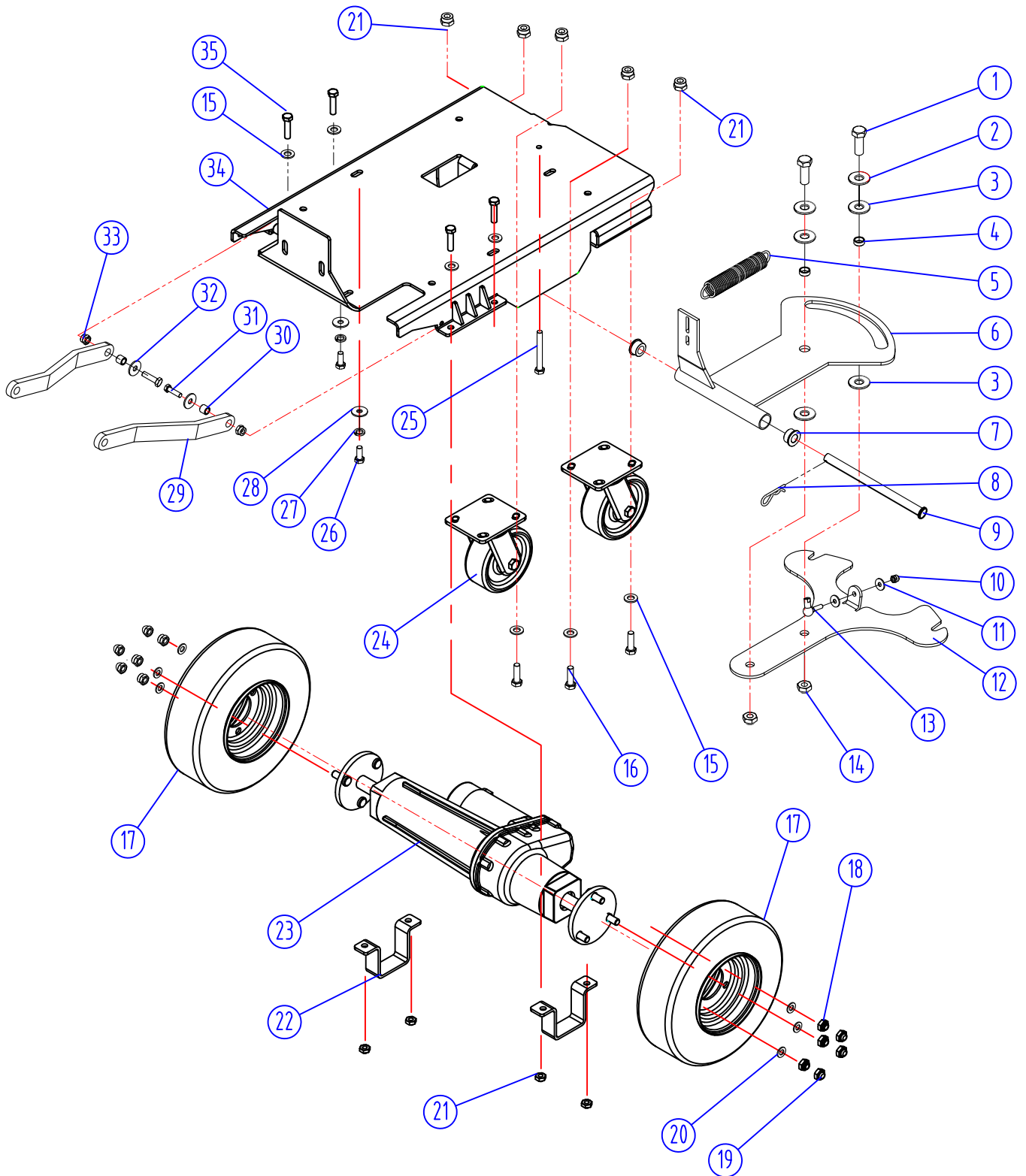
SOLUTION TANK GROUP

DIA NO	PART NUMBER	SERIAL NUMBER	DESCRIPTION	NO REQ'D
1	6210131	000103-	NYLON, CLAMP	6
2	1421510	000103-	FLAT WASHER,M5 X 10 X 1	20
3	1221512	000103-	SCREW,M5 X 12	9
4	1123507	000103-	LOCK NUT,M5	6
5	8230114	000103-	BRACKET, ON BOARD CHARGER	1
6	1421612	000103-	FLAT WASHER,M6 X 12 X 1.6	14
7	1021616	000103-	HEX BOLT,M6 X 16	12
8	1221525	000103-	SCREW,M5 X 25	4
9	8230117-US	000103-	ON BOARD CHARGER,36VDC,KIT [US]	1
	8230131-K	000103-	ON BOARD CHARGER,36VDC,KIT [EU]	1
	8230132	000103-	ON BOARD CHARGER,36VDC,KIT [UK]	1
10	8230127	000103-	PLATE	1
11	8210112	000103-	HOOK, CORD	2
12	1222641	000103-	SCREW,M6 X 40	2
13	1321213	000103-	SELF-TAPPING SCREW,ST4.2 X 13	2
14	8210113	000103-	CAP, SOLUTION FILL	1
15	4010316	000103-	ICE LOGO	2
16	8230134	000103-	CLEAN TUBING	1
17	1962025	000103-	CLAMP,16 - 25mm	1
18	8230101	000103-	SOLUTION TANK	1
19	8114751	000103-	JACKET, BATTERY TERMINAL, BLACK	12
20	8230705	000103-	BATTERY CONNECT CABLE, BLACK	5
21	8113013	000103-	SPACER, BATTERY	4
22	8210105	000103-	BATTERY, 260AH @ 20Hr	6
	8230120	000103-	BATTERY, 305AH @ 20Hr (OPTIONAL)	6
23	8230121	000103-	BATTERY TRAY	1
24	8230104	000103-	COVER, FRONT	1
25	1321110	000103-	SELF-TAPPING SCREW,ST3.5 X 10	3
26	1421409	000103-	FLAT WASHER,M4 X 9 X 0.8	3
27	8230750	000103-	LED LIGHT,36V,KIT	1
28	8133601	000103-	LED LIGHT MOUNTING BASE	1
29	1221520	000103-	SCREW,M5 X 20	3
30	8133602	000103-	LED LIGHT COVER	1

SOLUTION TANK GROUP

DIA NO	PART NUMBER	SERIAL NUMBER	DESCRIPTION	NO REQ'D
31	8210518	000103-	KNOB, M8	2
32	1535830	000103-	SET SCREW,M8 X 30	2
33	1421618	000103-	PLAIN WASHER ,M6 X 18 X 1.6,SS	6
34	8113112	000103-	BUSHING	2
35	8113030	000103-	SEAL	1
36	8113002	000103-	COVER	1
37	8113007	000103-	STRAP	1
38	1221520	000103-	SCREW,M5 X 20	2
39	8230711	000103-	CURRENT TRANSFORMER, 50A	1
40	8114703	000103-	CIRCUIT BREAKER, 35A	1
41	8230708	000103-	SOLENOID SWITCH,36VDC	1
42	1123608	000103-	LOCK NUT,M6	4
43	8230128	000103-	BRACKET, SOLENOID SWITCH	1
44	1422616	000103-	LOCK WASHER, M6	6
45	8230707	000103-	KIT,BATTERY CONNECT CABLE	1
46	8230714	000103-	CONNECTOR, SB175-GREY	2
47	1521635	000103-	SCREW, HEX SOCKET, M6 X 35	2
48	8230706	000103-	KIT,BATTERY CONNECT CABLE	1
49	1021610	000103-	HEX BOLT,M6 X 10	2
50	8144024	000103-	LABEL,CIRCUIT BREAKER	2
51	8230702	000103-	SOLENOID SWITCH,36VDC	1
52	8114705	000103-	STAND-OFF, M6, RED	2

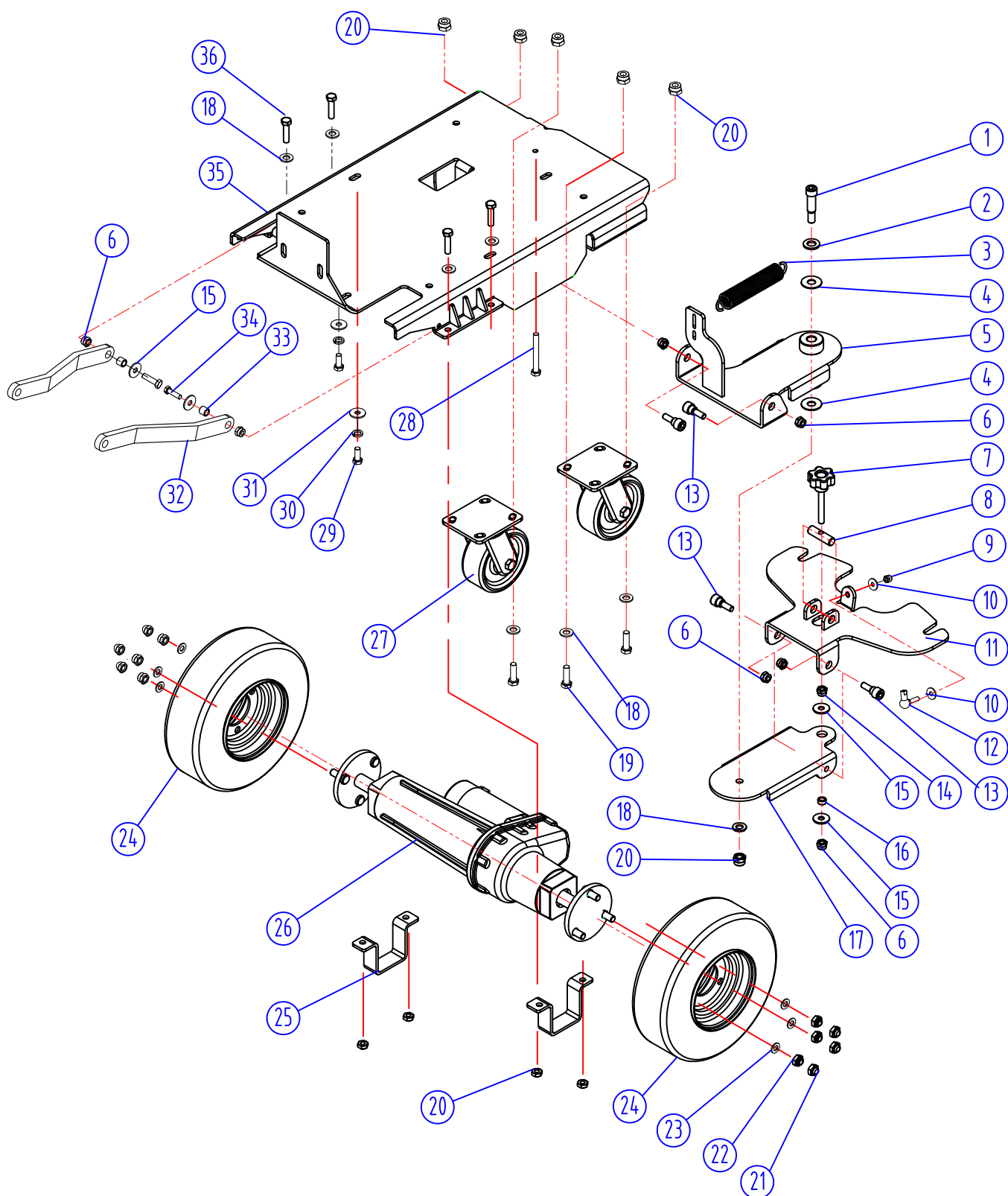
FRAME & DRIVE GROUP



FRAME & DRIVE GROUP

DIA NO	PART NUMBER	SERIAL NUMBER	DESCRIPTION	NO REQ'D
1	1021230	000103-	HEXBOLT,M12X30	2
2	1421132	000103-	FLAT WASHER,M12 X 32 X 1.5	2
3	8135001	000103-	PLASTIC THRUST WASHER,M12 X 30 X 1.5	4
4	8115405	000103-	SLEEVE,P/M	2
5	8210508	000103-	SPIRNG	1
6	8210501	000103-000124	BRACKET, SQGE LIFT	1
7	8210506	000103-	BUSHING,P/M	2
8	8210309	000103-	PIN,COTTER	1
9	8210505	000103-	PIN	1
10	1123608	000103-	LOCK NUT,M6	5
11	1421618	000103-	FLAT WASHER,M6 X 18 X 1.6	2
12	8210507	000103-000124	BRACKET,SQGE MNTG	1
13	8114511	000103-	BALL JOINT,M6	1
14	1123115	000103-	LOCK NUT,M12	4
15	1421020	000103-	FLAT WASHER,M10 X 20 X 2	12
16	1021030	000103-	HEX BOLT,M10 X 30	8
17	8230129	000138-	WHEEL 12" FOAM FILL(OPTIONAL)	2
	8230116	000103-000137	WHEEL,12", PNEUMATIC	2
18	1123111	000103-	LOCK NUT,7/16"- 20UNF	6
19	1124111	000103-	NUT,CAP	6
20	1421120	000103-	FLAT WASHER,M12.1 X 20 X 2	6
21	1123012	000103-	LOCK NUT,M10	12
22	8230118	000103-	BRACKET, TRANSAXLE MOUNTING	2
23	8230810	000103-	TRANSAXLE, 36VDC,KIT	1
24	8230119	000103-	5",CASTER	2
25	1022809	000103-	HEX BOLT,M8 X 90	1
26	1021820	000103-	HEX BOLT,M8 X 20	5
27	1422821	000103-	LOCK WASHER,M8	5
28	1421828	000103-	FLAT WASHER,M8 X 28 X 2	5
29	8210115	000103-	ARM, SCRUB HEAD LIFTING	2
30	8210116	000103-	BUSHING	2
31	1021830	000103-	HEX BOLT,M8 X 30	5
32	1421824	000103-	FLAT WASHER,M8 X 24 X 2	2
33	1123810	000103-	LOCK NUT,M8	2
34	8230105	000103-	FRAME	1
35	1021025	000103-	HEX BOLT,M10 X 25	4

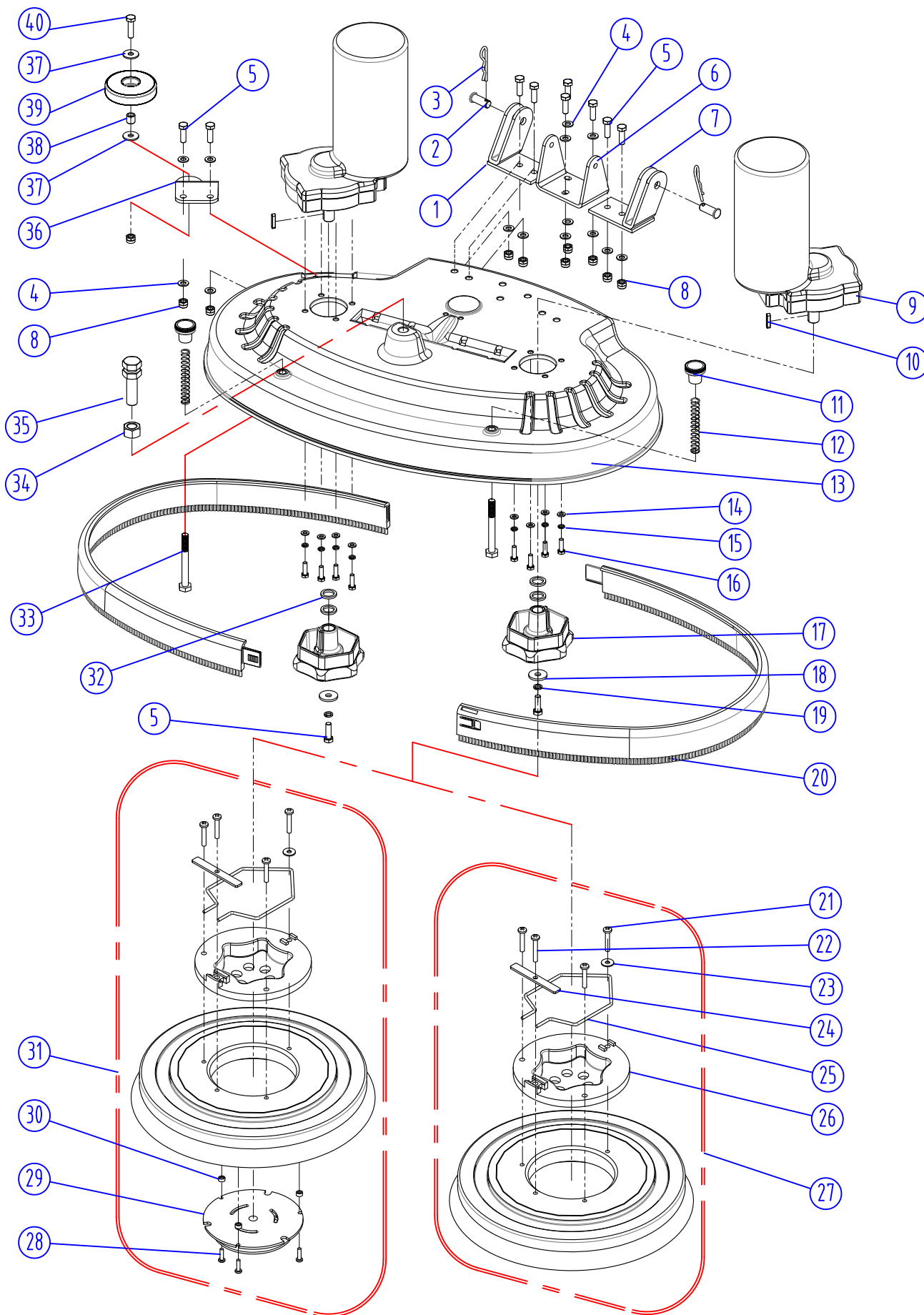
FRAME & DRIVE GROUP



FRAME & DRIVE GROUP

DIA NO	PART NUMBER	SERIAL NUMBER	DESCRIPTION	NO REQ'D
1	8211505	000103-	SHOULDER BOLT,M12 X 30 X M10	1
2	1421132	000103-	FLAT WASHER,M12 X 32 X 1.5	1
3	8210508	000103-	SPIRNG	1
4	8135001	000103-	PLASTIC THRUST WASHER,M12 X 30 X 1.5	2
5	8211501	000125-	BRACKET, SQGE LIFT	1
6	1123810	000103-	LOCK NUT,M8	7
7	8211507	000103-	KNOB, M8	1
8	8211506	000103-	PIN	1
9	1123608	000103-	LOCK NUT,M6	5
10	1421618	000103-	FLAT WASHER,M6 X 18 X 1.6	2
11	8211503	000125-	BRACKET, SQGE MNTG	1
12	8114511	000103-	BALL JOINT,M6	1
13	8211504	000103-	SHOULDER BOLT,M12 X 7 X M8	4
14	1121807	000103-	NUT,M8	1
15	1421824	000103-	FLAT WASHER,M8 X 24 X 2	4
16	8211508	000103-	BUSHING	1
17	8211502	000125-	BRACKET, SWING	1
18	1421020	000103-	FLAT WASHER,M10 X 20 X 2	13
19	1021030	000103-	HEX BOLT,M10 X 30	8
20	1123012	000103-	LOCK NUT,M10	13
21	1124111	000103-	NUT,CAP	6
22	1123111	000103-	LOCK NUT,7/16"- 20UNF	6
23	1421120	000103-	FLAT WASHER,M12.1 X 20 X 2	6
24	8230129	000138-	WHEEL,12", FOAM FILL	2
	8230116	000103-000137	WHEEL,12", PNEUMATIC (OPTIONAL)	2
25	8230118	000103-	BRACKET, TRANSAXLE MOUNTING	2
26	8230810	000103-	TRANSAXLE, 36VDC,KIT	1
	8230811	000103-	ELECTRIC BRAKE KIT	1
27	8230119	000103-	5",CASTER	2
28	1022809	000103-	HEX BOLT,M8 X 90	1
29	1021820	000103-	HEX BOLT,M8 X 20	5
30	1422821	000103-	LOCK WASHER,M8	5
31	1421828	000103-	FLAT WASHER,M8 X 28 X 2	5
32	8210115	000103-	ARM, SCRUB HEAD LIFTING	2
33	8210116	000103-	BUSHING	2
34	1021830	000103-	HEX BOLT,M8 X 30	5
35	8230105	000103-	FRAME	1
36	1021025	000103-	HEX BOLT,M10 X 25	4

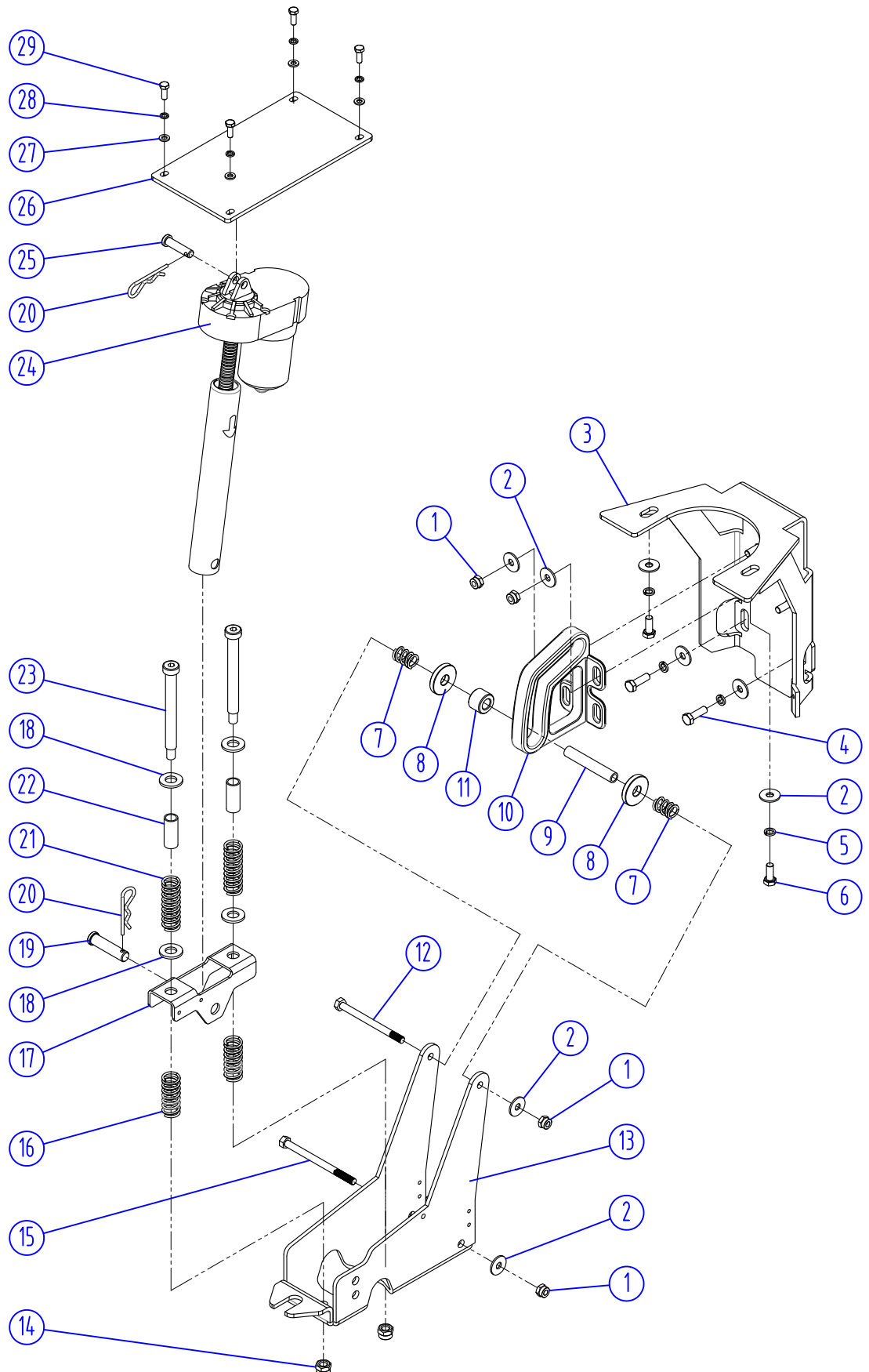
SCRUB HEAD GROUP



SCRUB HEAD GROUP

DIA NO	PART NUMBER	SERIAL NUMBER	DESCRIPTION	NO REQ'D
1	8210830	000103-	BRACKET, SCRUB HEAD LIFT, RIGHT	1
2	8210807	000103-	PIN	2
3	8210309	000103-	PIN, COTTER	2
4	1421816	000103-	FLAT WASHER,M8 X 16 X 1.6	14
5	1021825	000103-	HEX BOLT,M8 X 25	11
6	8210806	000103-	BRACKET, ACTUATOR MNTG	1
7	8210820	000103-	BRACKET, SCRUB HEAD LIFT, LEFT	1
8	1123810	000103-	LOCK NUT,M8	10
9	8230300	000103-	BRUSH MOTOR, 36VDC, 630W, KIT	2
10	1655025	000103-	KEY, 5 X 5 X 25	2
11	8210808	000103-	KNOB, M10	2
12	8210809	000103-	SPRING	2
13	8230301	000103-	HOUSING, SCRUB HEAD,i36BT	1
14	1421612	000103-	FLAT WASHER,M6 X 12 X 1.6	8
15	1422616	000103-	LOCK WASHER, M6	8
16	1021620	000103-	HEX BOLT,M6 X 20	8
17	8210805	000103-	HUB, BRUSH DRIVE	2
18	1421828	000103-	FLAT WASHER,M8 X 28 X 3.0	2
19	1422821	000103-	LOCK WASHER,M8	2
20	8218050	000103-	BUMPER, SCRUB HEAD	2
21	1221635	000103-	SCREW, M6 X 35	12
22	1221640	000103-	SCREW, M6 X 40	4
23	1421618	000103-	FLAT WASHER,M6 X 18 X 1.6	4
24	8210861	000103-	RETAINER BAR	4
25	8210862	000103-	SPRING, G-400S	4
26	9000004	000103-	CLUTCH, G-400S	4
27	9050016	000103-	BRUSH ASSEMBLY, 16 INCH	2
28	1321325	000103-	SELF-TAPPING SCREW,ST5 X 25	6
29	9000003	000103-	CENTER LOCK, #3	2
30	8116040	000103-	SPACER, 6.5 X 14.5 X 7.0	6
31	9040016	000103-	PAD DRIVER, 15 INCH	2
32	8210804	000103-	SPACER	4
33	1022090	000103-	HEX BOLT,M10 X 90	2
34	1111215	000103-	HEX NUT, M16	1
35	8210811	000103-	AJUSTMENT STUD, M16	1
36	8210810	000103-	BRACKET, ROLLER MNTG	1
37	1421824	000103-	FLAT WASHER,M8 X 24 X 2	2
38	8115404	000103-	SLEEVE, P/M	1
39	8116009	000103-	PROTECTIVE WHEEL	1
40	1021830	000103-	HEX BOLT,M8 X 30	1

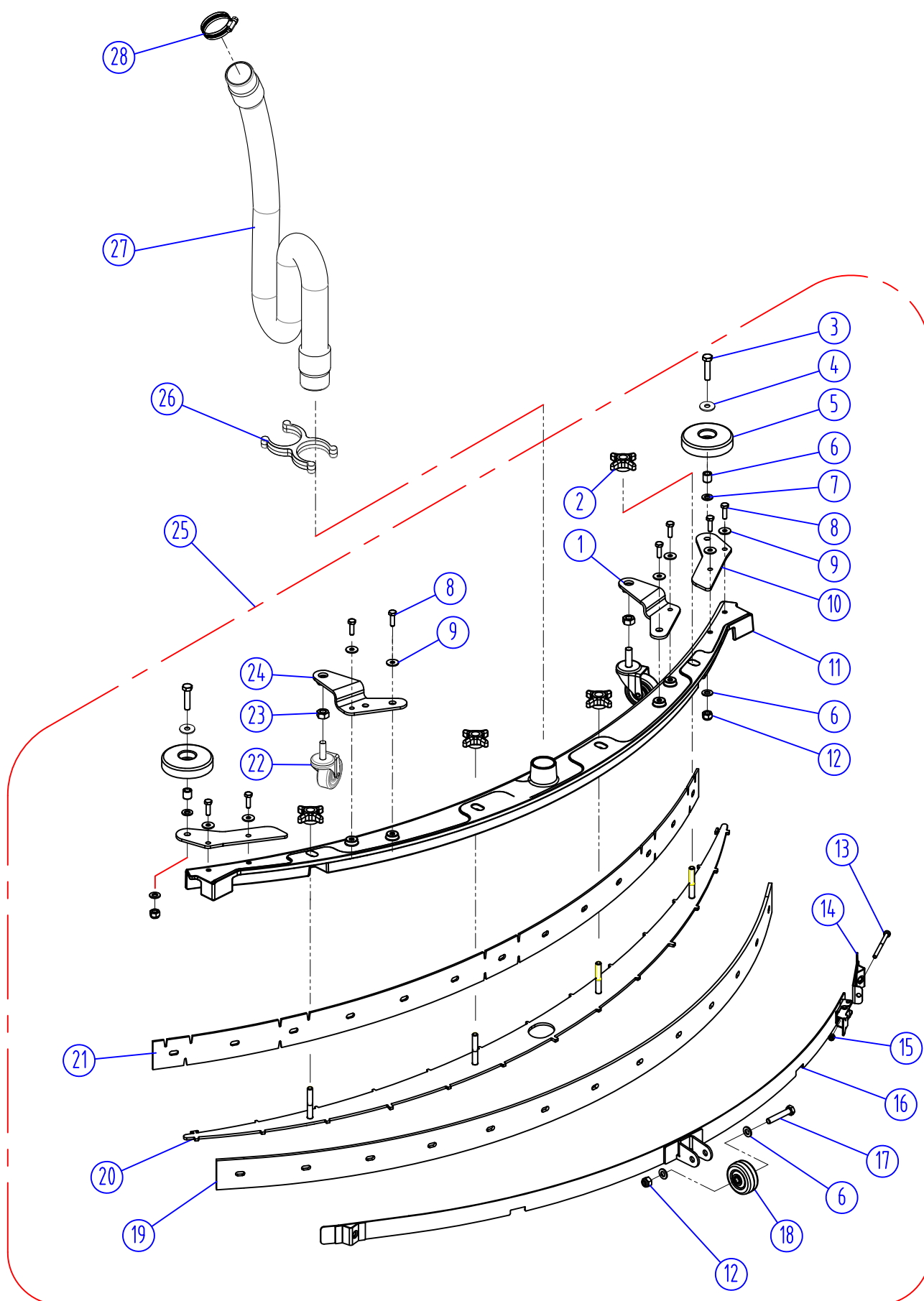
SCRUB HEAD LIFT GROUP



SCRUB HEAD LIFT GROUP

DIA NO	PART NUMBER	SERIAL NUMBER	DESCRIPTION	NO REQ'D
1	1123810	000103-	LOCK NUT,M8	6
2	1421824	000103-	FLAT WASHER,M8 X 24 X 2	10
3	8210306	000103-	BRACKET, GUIDE MNTG	1
4	1021825	000103-	HEX BOLT,M8 X 25	2
5	1422821	000103-	LOCK WASHER,M8	4
6	1021820	000103-	HEX BOLT,M8 X 20	2
7	8210311	000103-	SPRING	2
8	8210312	000103-	WASHER, PM	2
9	8210314	000103-	SHAFT	1
10	8210310	000103-	GUIDE, ROLLER	1
11	8210313	000103-	ROLLER	1
12	1022800	000103-	HEX BOLT,M8 X 100	1
13	8210316	000103-	BRACKET, SCRUB LIFT	1
14	1123008	000103-	LOCK NUT,3/8	2
15	1022811	000103-	HEX BOLT,M8 X 110	1
16	8210319	000103-	SPRING	2
17	8210317	000103-	BRACKET, SPRING	1
18	1421132	000103-	FLAT WASHER,M 12 X 32 X 1.5	4
19	8210322	000103-	PIN	1
20	8210309	000103-	PIN, COTTER	2
21	8210318	000103-	SPRING	2
22	8230311	000103-	SLEEVE	2
23	8210321	000103-	BOLT, SHOULDER, 3/8	2
24	8230302	000103-	ACTUATOR, 36VDC	1
25	8210301	000103-	PIN	1
26	8210303	000103-	BRACKET, ACTUATOR MNTG	1
27	1421612	000103-	FLAT WASHER,M6 X 12 X 1.6	4
28	1422616	000103-	LOCK WASHER,M6	4
29	1021616	000103-	HEX BOLT,M6 X 16	4

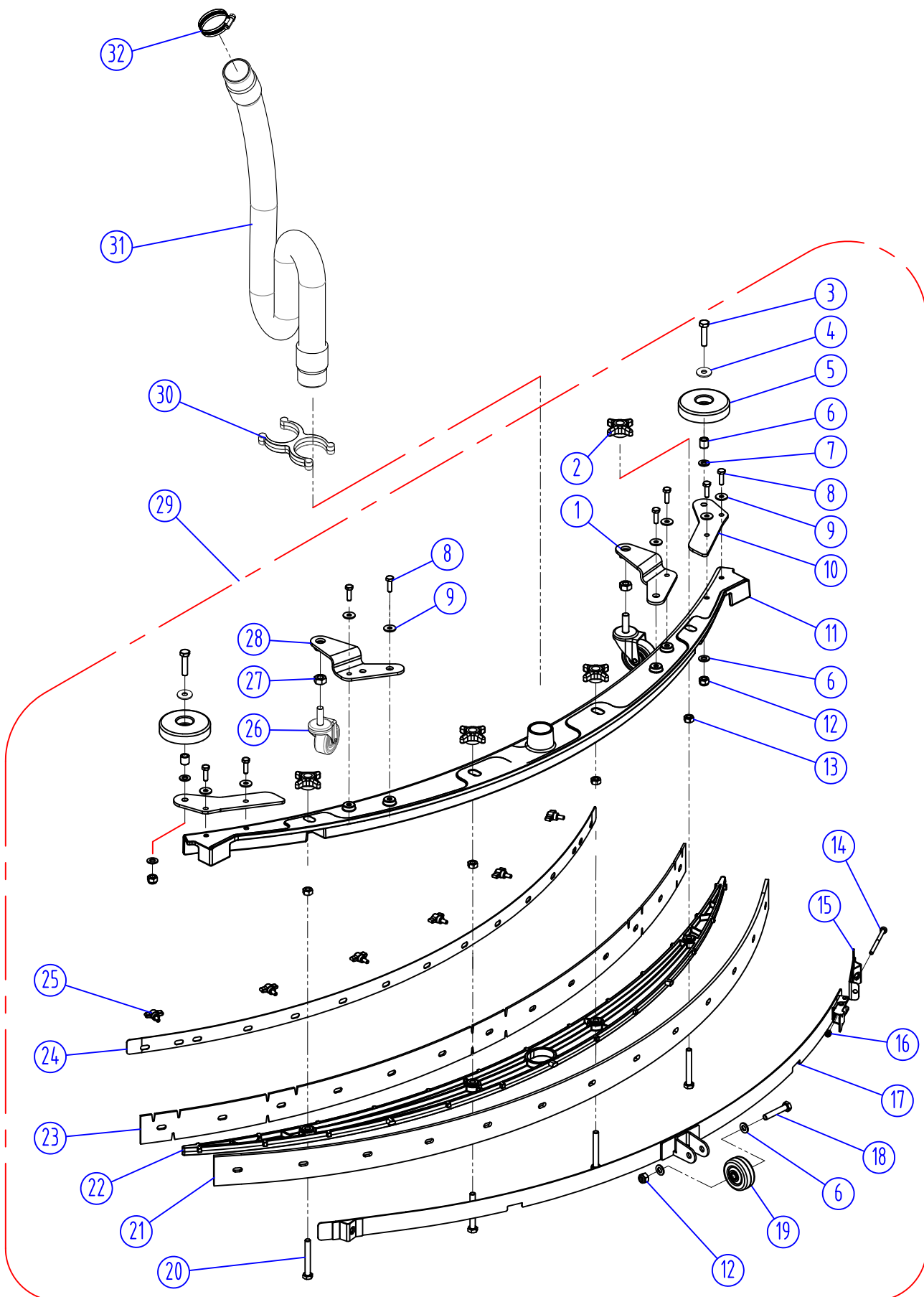
SQUEEGEE GROUP (46.5 INCH STANDARD)



SQUEEGEE GROUP(46.5 INCH STANDARD)

DIA NO	PART NUMBER	SERIAL NUMBER	DESCRIPTION	NO REQ'D
1	8118300	000103-	RIGHT BRACKET	1
2	8210518	000103-	STAR KNOB,M8	4
3	1021835	000103-	HEX BOLT,M8 X 35	2
4	1421824	000103-	FLAT WASHER,M8 X 24 X 2.0	2
5	8116009	000103-	PROTECTIVE WHEEL	2
6	8115404	000103-	BEARING, JOURNAL	2
7	1421816	000103-	FLAT WASHER,M8 X 16 X1 .6	6
8	1021616	000103-	HEX BOLT,M6 X 16	8
9	1421618	000103-	FLAT WASHER,M6 X 18 X 1.6	8
10	8210515	000103-	BRACKET, ROLLER MNTG	2
11	8230501	000103-	SQUEEGEE HOUSING	1
12	1123810	000103-	LOCK NUT,M8	2
13	1221575	000103-	SCREW,M5 X 75	1
14	8210525	000103-	SHORT CLAMP ASSEMBLY	1
15	1123507	000103-	LOCK NUT,M5	1
16	8210520	000103-	CLAMP ASSEMBLY, SQUEEGEE	1
	8211520	000103-	ASSEMBLY, SQUEEGEE WITHOUT WHEEL(OPTIONAL)	1
17	1022845	000103-	HEX BOLT,M8 X 45	1
18	8210527	000103-	WHEEL, 2 INCH	1
19	8230504	000103-	SQUEEGEE BLADE, REAR, LINATEX	1
	8230507	000103-	SQUEEGEE BLADE, REAR, PU (OPTIONAL)	1
20	8230502	000103-	RETAINER,SQUEEGEE	1
21	8230503	000103-	SQUEEGEE BLADE, FRONT, LINATEX	1
	8230506	000103-	SQUEEGEE BLADE, FRONT, PU (OPTIONAL)	1
22	8118400	000103-	CASTER, 2 INCH	2
23	1121008	000103-	HEX NUT,M10	2
24	8118200	000103-	LEFT BRACKET	1
25	8230500	000143	SQUEEGEE ASSEMBLY	1
26	8118109	000103-	HOLDER VACUUM HOSE	1
27	8118006	000103-	VACUUM HOSE	1
28	1962050	000103-	CLAMP	1

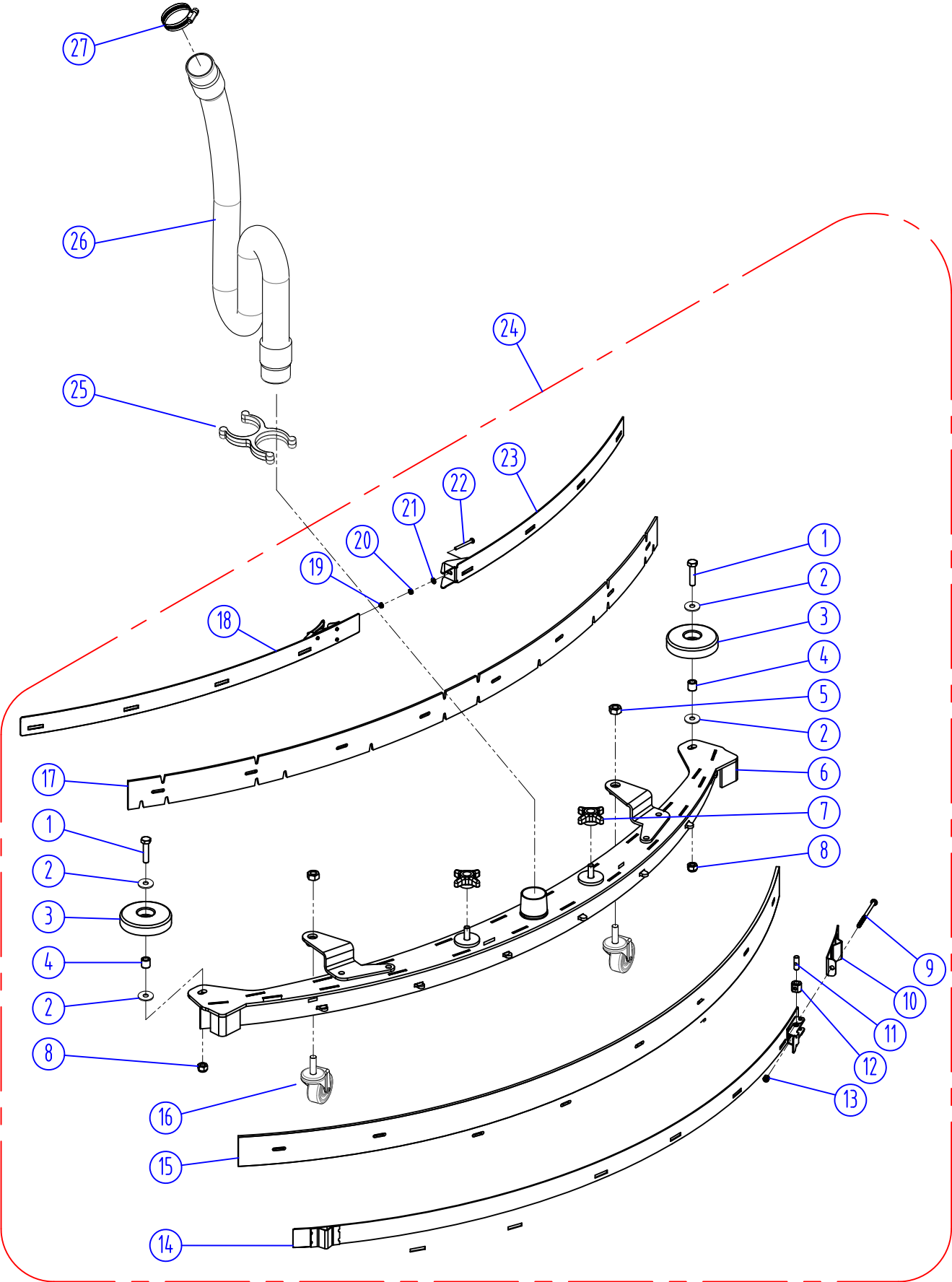
SQUEEGEE GROUP (OLD)



SQUEEGEE GROUP(OLD)

DIA NO	PART NUMBER	SERIAL NUMBER	DESCRIPTION	NO REQ'D
1	8118300	000103-	RIGHT BRACKET	1
2	8210518	000103-	STAR KNOB,M8	4
3	1021835	000103-	HEX BOLT,M8 X 35	2
4	1421824	000103-	FLAT WASHER,M8 X 24 X 2.0	2
5	8116009	000103-	PROTECTIVE WHEEL	2
6	8115404	000103-	BEARING, JOURNAL	2
7	1421816	000103-	FLAT WASHER,M8 X 16 X1 .6	6
8	1021616	000103-	HEX BOLT,M6 X 16	8
9	1421618	000103-	FLAT WASHER,M6 X 18 X 1.6	8
10	8210515	000103-	BRACKET, ROLLER MNTG	2
11	8210511	000103-	SQUEEGEE HOUSING	1
12	1123810	000103-	LOCK NUT,M8	2
13	1121807	000103-	HEX NUT,M8	4
14	1221575	000103-	SCREW,M5 X 75	1
15	8210525	000103-	SHORT CLAMP ASSEMBLY	1
16	1123507	000103-	LOCK NUT,M5	1
17	8210520	000103-	CLAMP ASSEMBLY, SQUEEGEE	1
	8211520	000103-	ASSEMBLY, SQUEEGEE WITHOUT WHEEL(OPT	1
18	1022845	000103-	HEX BOLT,M8 X 45	1
19	8210527	000103-	WHEEL, 2 INCH	1
20	1021860	000103-	HEX BOLT,M8 X 60	4
21	8210514	000103-	SQUEEGEE BLADE, REAR, LINATEX	1
	8210517	000103-	SQUEEGEE BLADE, REAR, PU (OPTIONAL)	1
22	8210512	000103-	RETAINER,SQUEEGEE	1
23	8210513	000103-	SQUEEGEE BLADE, FRONT, LINATEX	1
	8210516	000103-	SQUEEGEE BLADE, FRONT, PU (OPTIONAL)	1
24	8210519	000103-	CLAMP, FRONT BLADE	1
25	8210530	000103-	KNOB, M6	6
26	8118400	000103-	CASTER, 2 INCH	2
27	1121008	000103-	HEX NUT,M10	2
28	8118200	000103-	LEFT BRACKET	1
29	8210510	000103-000137	SQUEEGEE ASSEMBLY	1
30	8118109	000103-	HOLDER VACUUM HOSE	1
31	8118006	000103-	VACUUM HOSE	1
32	1962050	000103-	CLAMP	1

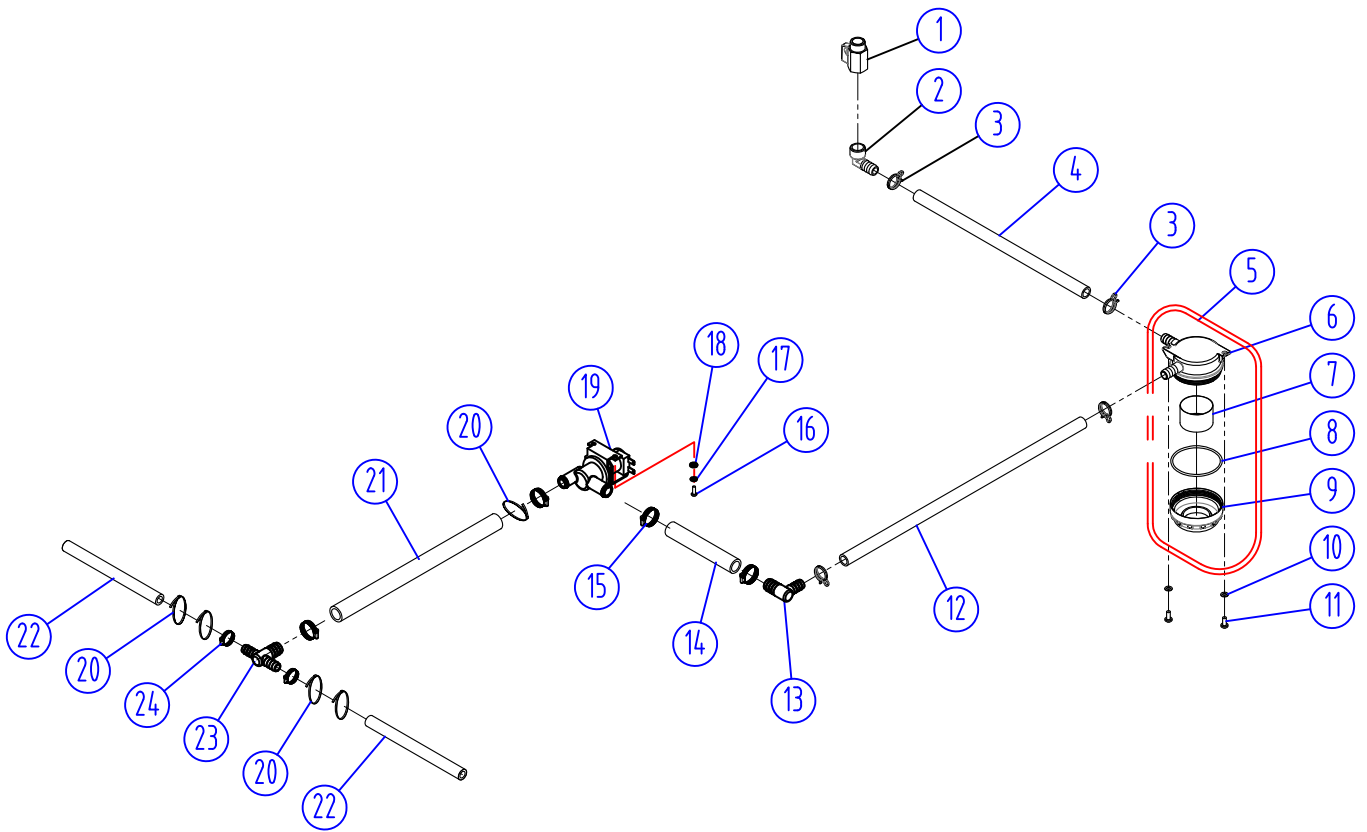
SQUEEGEE GROUP (44.5 INCH OPTIONAL)



SQUEEGEE GROUP(44.5 INCH OPTIONAL)

DIA NO	PART NUMBER	SERIAL NUMBER	DESCRIPTION	NO REQ'D
1	1021835	000103-	HEX BOLT,M8 X 35	2
2	1421824	000103-	FLAT WASHER,M8 X 24 X 2.0	2
3	8116009	000103-	PROTECTIVE WHEEL	2
4	8115404	000103-	BEARING, JOURNAL	2
5	1121008	000103-	HEX NUT,M10	2
6	8220501	000103-	SQUEEGEE HOUSING	1
7	8210518	000103-	STAR KNOB,M8	2
8	1123810	000103-	LOCK NUT,M8	2
9	1221575	000103-	SCREW,M5 X 75	1
10	8210525	000103-	SHORT CLAMP ASSEMBLY	1
11	8118624	000103-	SHAFT	1
12	8118623	000103-	SPACER	1
13	1123507	000103-	HEX NUT,M5	1
14	8220521	000103-	CLAMP ASSEMBLY, SQUEEGEE	1
15	8220513	000103-	SQUEEGEE BLADE, REAR, LINATEX	1
	8220523	000103-	SQUEEGEE BLADE, REAR, PU (OPTIONAL)	1
16	8118400	000103-	WHEEL, 2 INCH	2
17	8220514	000103-	SQUEEGEE BLADE, FRONT, LINATEX	1
	8220524	000103-	SQUEEGEE BLADE, FRONT, PU (OPTIONAL)	1
18	8220518	000103-	FRONT CLAMP,LEFT	1
19	1121403	000103-	HEX NUT,M4	1
20	1123406	000103-	LOCK NUT,M4	1
21	1421409	000103-	FLAT WASHER,M4 X 9 X 0.5	1
22	1211435	000103-	SCREW,M4 X 35	1
23	8220515	000103-	FRONT CLAMP,RIGHT	1
24	8220500	000103-	SQUEEGEE ASSEMBLY	1
25	8118109	000103-	HOLDER VACUUM HOSE	1
26	8118006	000103-	VACUUM HOSE	1
27	1962050	000103-	CLAMP	1

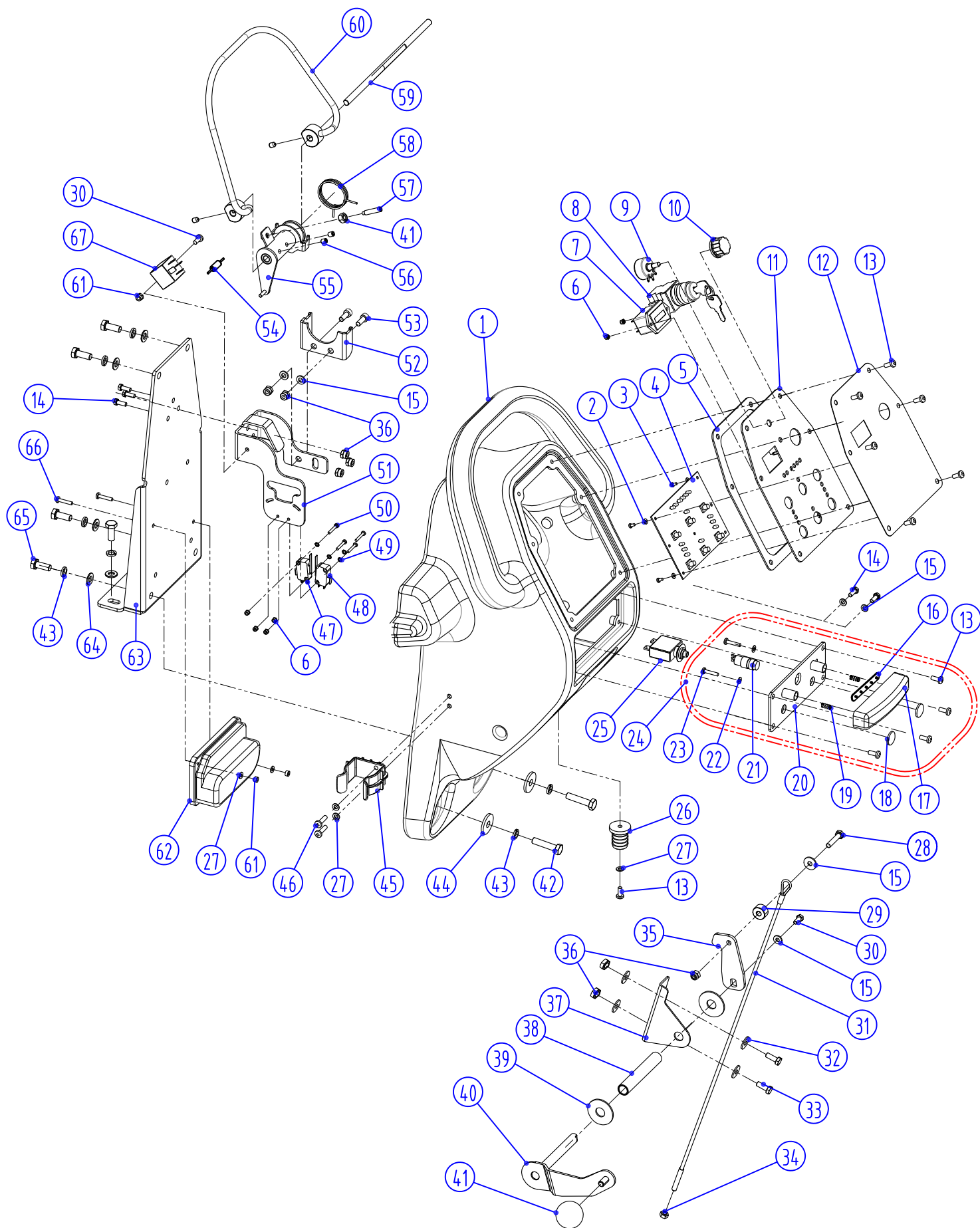
SOLUTION GROUP



SOLUTION GROUP

DIA NO	PART NUMBER	SERIAL NUMBER	DESCRIPTION	NO REQ'D
1	8119005	000103-	BALL VALVE, G1/2	1
2	8119007	000103-	ELBOW,G1/2	1
3	8119006	000103-	CLAMP	4
4	8230304	000103-	TUBING,ID=12 X 365MM	1
5	8119100	000103-	FILTER ASSEMBLY	1
6	8119101	000103-	BASE, FILTER ASSEMBLY	1
7	8119103	000103-	SCREEN, FILTER, 70 MESH	1
	8119105	000103-	SCREEN, FILTER, 40 MESH (OPTIONAL)	1
8	1622063	000103-	"O" RING	1
9	8119102	000103-	CAP, FILTER ASSEMBLY	1
10	1421510	000103-	FLAT WASHER,M5 X 10 X 1	2
11	1221512	000103-	SCREW ,M5 X 12	2
12	8230305	000103-	TUBING,ID=12 X 560MM	1
13	8230309	000103-	ELBOW, TUBING BARB	1
14	8230306	000103-	TUBING,ID=16 X 120MM	1
15	1962025	000103-	CLAMP, 16-25mm	4
16	1221512	000103-	SCREW ,M5 X 12	2
17	1422513	000103-	LOCK WASHER,M5	2
18	1421512	000103-	FLAT WASHER,M5 X 10 X 1	2
19	8230122	000103-	SOLENOID VALVE,36VDC	1
20	1914300	000103-	TIE, NYLON, 5X300	5
21	8230307	000103-	TUBING,ID=16 X 300MM	1
22	8310903	000103-	TUBING,ID=12 X 175MM	2
23	8230308	000103-	FITTING, PLASTIC, TEE	1
24	1962016	000103-	CLAMP, 10-16mm	2

CONTROL CONSOLE GROUP



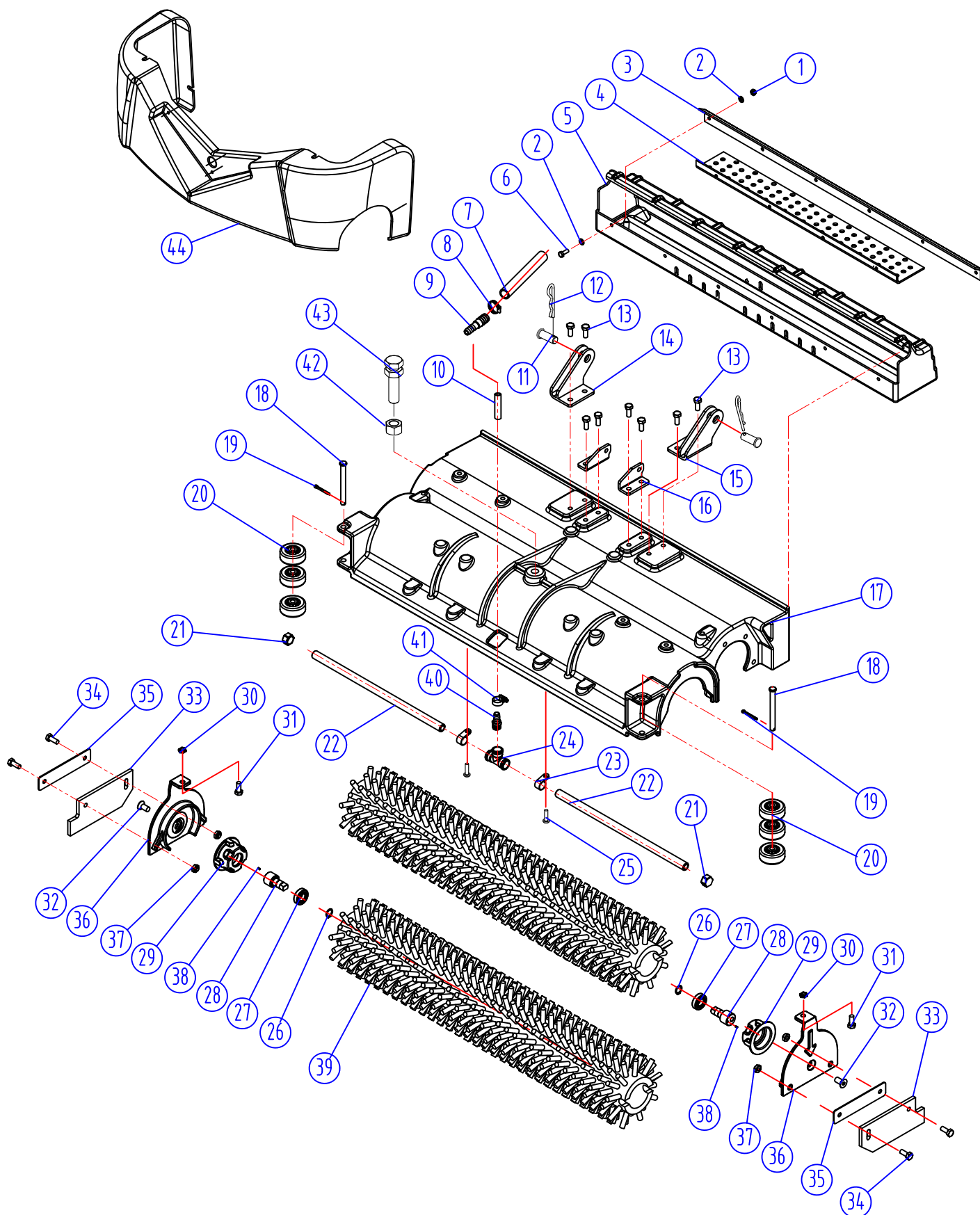
CONTROL CONSOLE GROUP

DIA NO	PART NUMBER	SERIAL NUMBER	DESCRIPTION	NO REQ'D
1	8134001	000103-	CONTROL CONSOLE HOUSING	1
2	1421307	000103-	FLAT WASHER,M3 X 7X 0.5	5
3	1221306	000103-	SCREW,M3X6	5
4	8230709	000103-	PCB ASSEMBLY,36VDC	1
5	8134015	000103-	GASLET	1
6	1123305	000103-	LOCK NUT,M3	6
7	8114710	000103-	TIMER	1
8	8114709	000103-	KEY SWITCH	1
9	8124717	000103-	POTENTIOMETER	1
10	8124718	000103-	KNOB, POTENTIOMETER	1
11	8210410	000103-	CONTROL PANEL	1
12	8230701	000103-	CONTROL PANEL DECAL, i36BT	1
13	1221512	000103-	SCREW,M5 X 12	12
14	1021616	000103-	HEX BOLT,M6 X 16	5
15	1421618	000103-	PLAIN WASHER ,M6 X18 X 1.6,SS	9
16	8230713A	000103-	KIT,LIGHT BELT,36V	1
17	8124007	000103-	BUTTON,EMERGENCY STOP	1
18	8210414	000103-	CAP	2
19	8124008	000103-	SPRING	2
20	8144030	000103-	BASE, CIRCUIT BREAKERS MNTG	1
21	8124715	000103-	EMERGENCY STOP SWITCH	1
22	1421409	000103-	FLAT WASHER,M4 X 9 X 0.8	4
23	1221421	000103-	SCREW,M4 X 20	2
24	8230751	000103-	KIT,EMERGENCY STOP SWITCH,36V	1
25	8114703	000103-	CIRCUIT BREAKER, 35A	1
26	8114005	000103-	CONNECTOR	1
27	1421510	000103-	FLAT WASHER,M5 X 10 X 1.0	5
28	1021630	000103-	HEX HEAD BOLT,M6 X 30,SS	1
29	8014101	000103-	LIFTING ROPE SPACER	1
30	1021512	000103-	HEX HEAD BOLT,M5 X 12,SS	2
31	8134013	000103-	CABLE, SQGE LIFT	1
32	1421515	000103-	FLAT WASHER,M5 X 15 X 1.0	1
33	1021620	000103-	HEX HEAD BOLT, M6 X 20	2

CONTROL CONSOLE GROUP

DIA NO	PART NUMBER	SERIAL NUMBER	DESCRIPTION	NO REQ'D
34	1121605	000103-	HEX NUT,M6	2
35	8014012	000103-	BAFFLE	1
36	1123608	000103-	LOCK NUT,M6	8
37	8134501	000103-	BRACKET	1
38	8134508	000103-	SLEEVE	1
39	1421132	000103-	FLAT WASHER,M12 X 32 X 1.5	2
40	8014010	000103-	SQUEEGEE LIFTING HANDLE	1
41	8113104	000103-	BALL KNOB,M8	1
42	1021840	000103-	HEX BOLT,M 8X 40	2
43	1422821	000103-	LOCK WASHER,M8	6
44	1421828	000103-	FLAT WASHER,M8 X 28 X 3	2
45	6210111	000103-	CLAMP, DRAIN HOSE	1
46	1221516	000103-	PH SCREW,M5X16,SS	2
47	8124743	000103-	MICRO SWITCH	1
48	8114712	000103-	MICRO SWITCH	1
49	1434300	000103-	LOCK WASHER, TOOTH, M3	4
50	1021320	000103-	SCREW,M3 X 20	4
51	8134022	000103-	BRACKET,SWITCH	1
52	8114402	000103-	BRACKET, SPRING	1
53	1521616	000103-	SCREW,M6X16, HEX SCOKET	2
54	8230710-US	000103-	RESISTANCE,5W,300Ω,KIT	1
55	8114300	000103-	ACTUATOR	1
56	1534608	000103-	SET SCREW,M6 X 8	4
57	1535630	000103-	SET SCREW,M6 X 30	1
58	8114306	000103-	SPRING	1
59	8114101	000103-	SHAFT	1
60	8134300	000103-	LEVER, BAIL	1
61	1123507	000103-	LOCK NUT,M5	3
62	8230704	000103-	SPEED CONTROL BOARD,i36BT	1
63	8134021	000103-	REAR PLATE, CONTROL CONSOLE	1
64	1421824	000103-	FLAT WASHER,M8 X 24 X 2	6
65	1021820	000103-	HEX BOLT,M8 X 20	6
66	1021535	000103-	SCREW, M5 X 35	2
67	8114707	000103-	RELAY	1

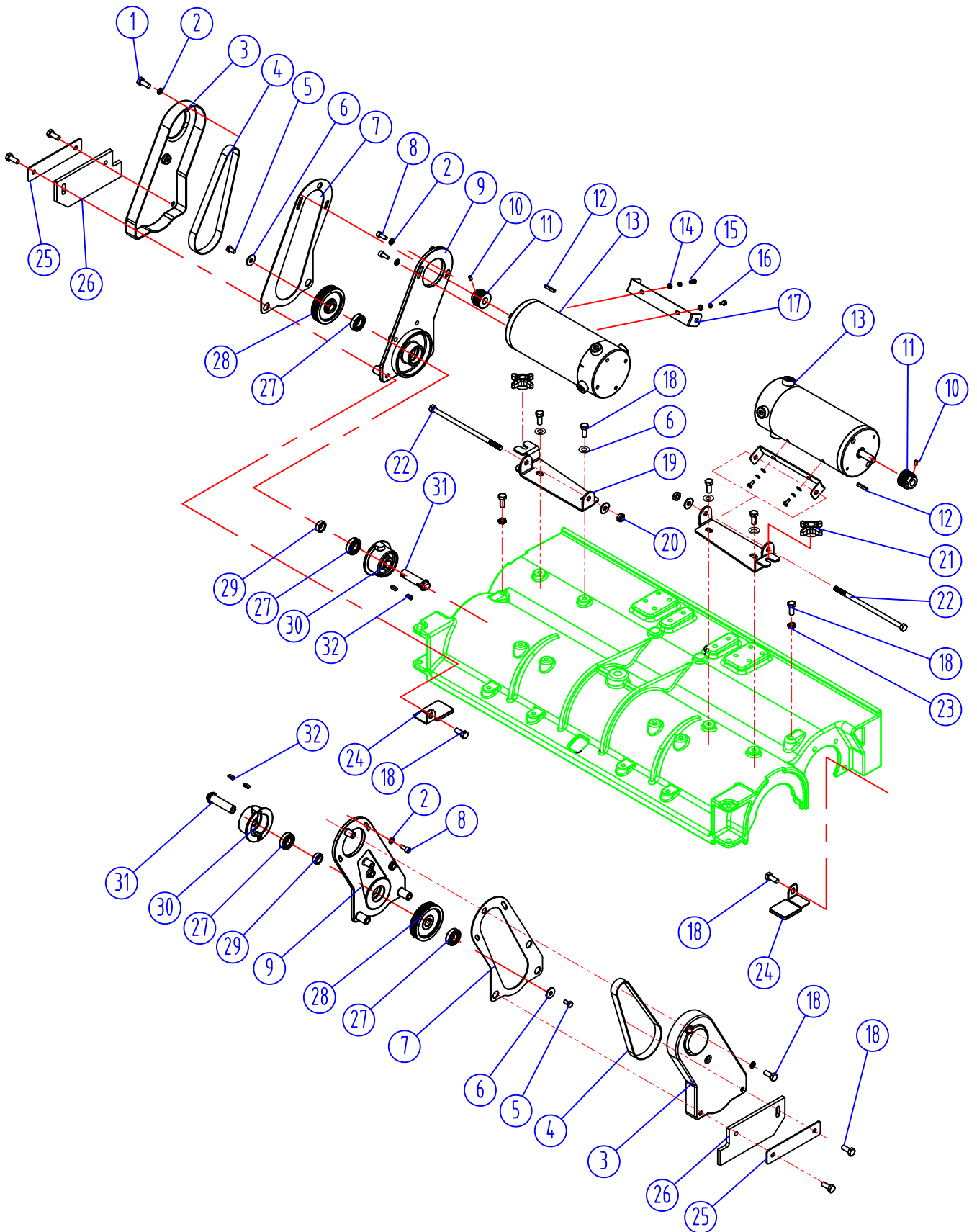
CYLINDRICAL SCRUB HEAD GROUP



CYLINDRICAL SCRUB HEAD GROUP

DIA NO	PART NUMBER	SERIAL NUMBER	DESCRIPTION	NO REQ'D
1	1123608	000103-	LOCK NUT,M6	6
2	1421612	000103-	FLAT WASHER,M6 X 12 X 1.6	12
3	8236019	000103-	LIP, HOPPER	1
4	8236020	000103-	STRIP, HOPPER	1
5	8236004	000103-	HOPPER	1
6	1021616	000103-	HEX BOLT,M6 X 16	6
7	8236038	000103-	TUBING,ID=16 X 450MM	1
8	1962025	000103-	CLAMP ,16-25MM	1
9	8701034	000103-	ELBOW, TUBING BARB	1
10	8236030	000103-	TUBING,ID=12 X 70MM	1
11	8210807	000103-	PIN	2
12	8210309	000103-	PIN, COTTER	2
13	1021820	000103-	SCREW, M8 X 20	8
14	8236032	000103-	BRACKET, SCRUB HEAD LIFT, LEFT	1
15	8236031	000103-	BRACKET, SCRUB HEAD LIFT, RIGHT	1
16	8236033	000103-	BRACKET, ACTUATOR MOUNTING	2
17	8236001	000103-	HOUSING CYLINDRICAL	1
18	8236011	000103-	PIN,M9.5X96	2
19	1645324	000103-	PIN, COTTER, M3.2 X 24	2
20	8236026	000103-	WHEEL,2"	6
21	8146303	000103-	END CAP,3/8"	2
22	8236035	000103-	PVC TUBING	2
23	8146305	000103-	PLASTIC CLAMP	4
24	8146301	000103-	TEE FITTING,3/8"	2
25	1221512	000103-	SCREW, M5 X 12	4
26	1436015	000103-	RING RETAINING, M15	2
27	1612602	000103-	BEARING, 6002LLU	2
28	8236009	000103-	SHAFT,IDLER	2
29	8236008	000103-	PLUG,IDLER,BRUSH	2
30	1121804	000103-	NUT,M8	2
31	1021840	000103-	SCREW, M8 X 40	2
32	1513020	000103-	COUNTERSUNK HEX SCREW,M10X20	2
33	8236013	000103-	SKIRT,CYLINDRICAL	2
34	1021816	000103-	SCREW, M8 X 16	4
35	8236014	000103-	CLAMP,SKIRT	2
36	8236002	000103-	DOOR,BRUSH	2
37	1123810	000103-	LOCK NUT,M8	4
38	1644206	000103-	PIN,M2.5X6	2
39	8236005	000103-	BRUSH,CYLINDRICAL	2
40	8013007	000103-	TUBING FITTING	1
41	1962016	000103-	CLAMP ,16MM	2
42	1111215	000103-	HEX NUT, M16	1
43	8210811	000103-	AJUSTMENT STUD, M16	1
44	8236003	000103-	FRONT COVER	1

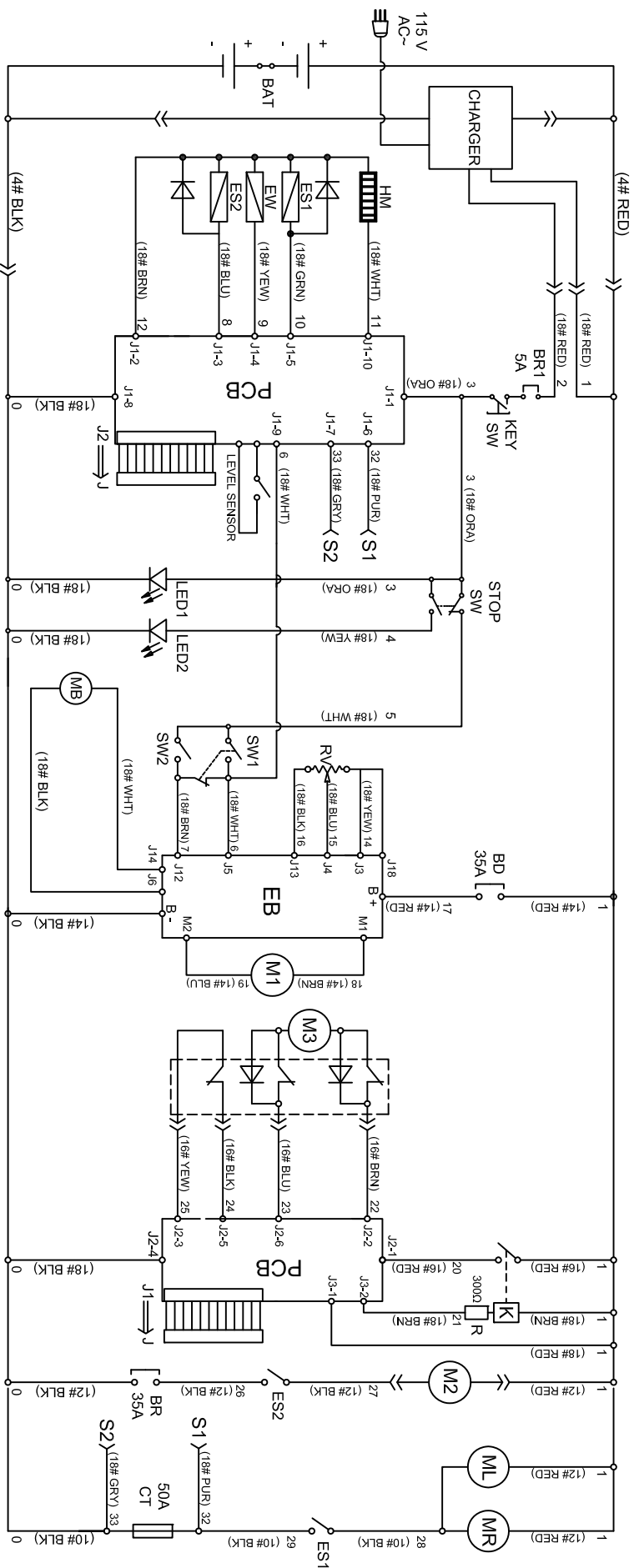
CYLINDRICAL SCRUB DRIVE GROUP



DRICAL SCRUB HEAD DRIVE GROUP

DIA NO	PART NUMBER	SERIAL NUMBER	DESCRIPTION	NO REQ'D
1	1521612	000103-	HEX SOCKET SCREW,M6 X 12	4
2	1421612	000103-	FLAT WASHER,M6 X 12 X 1.6	8
3	8236018	000103-	COVER,BELT	2
4	8236027	000103-	BELT,DRIVE,6PJ 508MM	2
5	1021816	000103-	HEX BOLT,M8 X 16	2
6	1421824	000103-	FLAT WASHER,M8 X 24 X 2	8
7	8236029	000103-	GASKET,BELT	2
8	1521616	000103-	HEX SOCKET SCREW,M6 X 16	4
9	8236017	000103-	BRACKET, MOTOR MOUNTING	2
10	1534508	000103-	SCREW,M5 X 8	4
11	8236012	000103-	DRIVING PULLEY,6PJ	2
12	8236023	000103-	KEY,4 X 4 X 25	2
13	8236028	000103-	MOTOR,36VDC,0.75HP	2
14	1421511	000103-	FLAT WASHER,M5 X 12 X 1	4
15	1021512	000103-	HEX BOLT,M5 X 12	4
16	1422513	000103-	WASHER,LOCK,M5 X 12 X 1	4
17	8236015	000103-	ANGLE BRACKET, MOTOR	2
18	1021820	000103-	HEX BOLT,M8 X 20	18
19	8236016	000103-	BRACKET, MOTOR	2
20	1123810	000103-	LOCK NUT,M8	2
21	8118003	000103-	STAR KNOB,M8	2
22	8236034	000103-	HEX BOLT,M8 X 185	2
23	1121804	000103-	NUT,M8	2
24	8236021	000103-	DEFLECTOR,WATER	2
25	8236014	000103-	CLAMP,SKIRT	4
26	8236013	000103-	SKIRT,CYLINDRICAL	4
27	1612602	000103-	BEARING, 6002LLU	4
28	8236007	000103-	DRIVEN PULLEY,6PJ	2
29	8236024	000103-	BUSHING	2
30	8236025	000103-	PLUG, DRIVE,BRUSH	2
31	8236010	000103-	SHAFT	2
32	1655015	000103-	KEY,5 X 5 X 15	4

WIRING DIRGRAM



- BAT:6X6V Batteries
- CHARGER:On board charge
- KEY SW: Main power key switch
- HM:Hour meter
- ES1:Brush motor solenoid switch
- EW:Solution solenoid valve switch
- ES2:Vacuum motor solenoid switch
- PCB:Fuction electronic board
- STOP SW:Emergency stop switch
- MB:Electromagnetic brake
- LED1:Running lights
- LED2:Emergency stop lights
- MR:Brush motor ,right

- BD: Driver motor circuit breaker
- RV: Speed potentiometer
- SW1: Control switch,forward
- SW2: Control switch,backward
- EB:Speed control board
- M1:Traction motor
- K:Key
- M3:Scrub hend lifting motor
- BR:Vacuum motor circuit: breaker
- M2:Vacuum motor
- ML:Brush motor, left
- CT:Current transformer
- BR1: Brake circuit breaker