



[www.icecompanies.com](http://www.icecompanies.com)

## Operator & Parts Manual

Floor Burnisher



# iB2000

5015012  
REV.01(08-2016)

**INTERNATIONAL CLEANING EQUIPMENT**



## READ OPERATOR MANUAL CAREFULLY

**IMPORTANT:** To ensure full warranty protection, Please fill out & return your warranty card.

Please fill out at time of installation for future reference.

Model No. \_\_\_\_\_

Serial No. \_\_\_\_\_

Machine Options \_\_\_\_\_

Sales Rep. \_\_\_\_\_

Sales Rep. phone no. \_\_\_\_\_

Customer ID Number \_\_\_\_\_

Installation Date \_\_\_\_\_

### HOW TO ORDER PARTS

Only use ICE Company supplied or equivalent parts. Parts and supplies may be ordered online, by phone, by fax or by mail.

1. Identify the machine model.
2. Identify the machine serial number from the data label.
3. Ensure the proper serial number is used from the parts list.
4. Identify the part number and quantity.

Do not order by page or reference numbers.

5. Provide your name, company name, customer ID number, billing and shipping address, phone number and purchase order number.



### PROTECT THE ENVIRONMENT

Please dispose of packaging materials, old machine components such as batteries, hazardous fluids, including antifreeze and oil, in an environmentally safe way according to local waste disposal regulations. Always remember to recycle.



International Cleaning Equipment  
XiangShi Road LiaoBu DongGuan GuangDong China  
Tel: 0769-8186 9000  
Fax: 0769-8186 3000

**Specifications and parts are subject to change without notice.**

---

## TABLE OF CONTENTS

|                                      |      |
|--------------------------------------|------|
| SAFETY PRECAUTIONS .....             | 4    |
| MACHINE COMPONENTS .....             | 5    |
| MACHINE OPERATING INSTRUCTIONS ..... | 6    |
| MACHINE MAINTENANCE & STORAGE .....  | 7    |
| PARTS LIST .....                     | 8-13 |
| WEAR & TEAR PARTS .....              | 14   |
| SPECIFICATIONS .....                 | 14   |
| WIRING DIAGRAM .....                 | 15   |

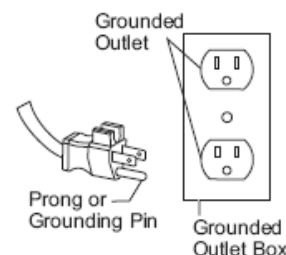
## SAFETY PRECAUTIONS



Carefully read and understand this manual before operating this machine.  
This machine must be grounded!

This floor/finishing machine shall be grounded while in use to protect the operator from electric shock. Grounding provides a path of least resistance for electric current. This machine is equipped with a cord having an equipment-grounding conductor and grounding plug. The plug must be plugged into an appropriate outlet that is properly installed and grounded in accordance with all local codes and ordinances. Do not remove the ground pin under any circumstances.

This machine is for use on a nominal 120-volt circuit and has a grounding plug that resembles the plug illustrated in Figure. Make sure that the machine is connected to an outlet having the same configuration as the plug. No adapter should be used with this machine.



This machine is intended for commercial use. It is constructed for use in an indoor environment and is not intended for any other use. Use only recommended accessories.

### 1. Do not operate machine:

- Unless trained and authorized.
- In flammable or explosive areas.
- With a damaged cord or plug.
- If not in proper operating condition.
- Without bag / filters in place.
- Unless you have read and understand the operators manual.
- With the use of extension cords.
- In outdoor areas and standing water.

### 2. Before operating machine:

- Make sure all safety devices are in place and operating properly.

### 3. When using machine:

- Only use approved burnishing pads.
- Do not pull machine by cord or plug.
- Do not stretch cord.
- Ensure the dust collection bag is in place and is tightly sealed to the machine.
- Turn power switch to “off “ prior to unplugging machine.
- Report machine damage or faulty operation immediately.
- Do not run machine over cord.
- Do not pull cord around sharp edges or corner.
- Do not unplug by pulling on the cord.
- Do not handle plug with wet hands.
- Keep cord away from heated surfaces.
- Do not pick up burning or smoking debris such as cigarettes, matches or hot ashes.

### 4. Before leaving or servicing machine:

- Turn off machine.
- Unplug cord from outlet.

### 5. When servicing machine:

- Unplug cord from outlet.
- Use manufacturer supplied or approved replacement parts.



To avoid electrical shock, please replace the power cord immediately if any damage is being detected. The replacement must be performed only by an authorized person or by our customer service center.

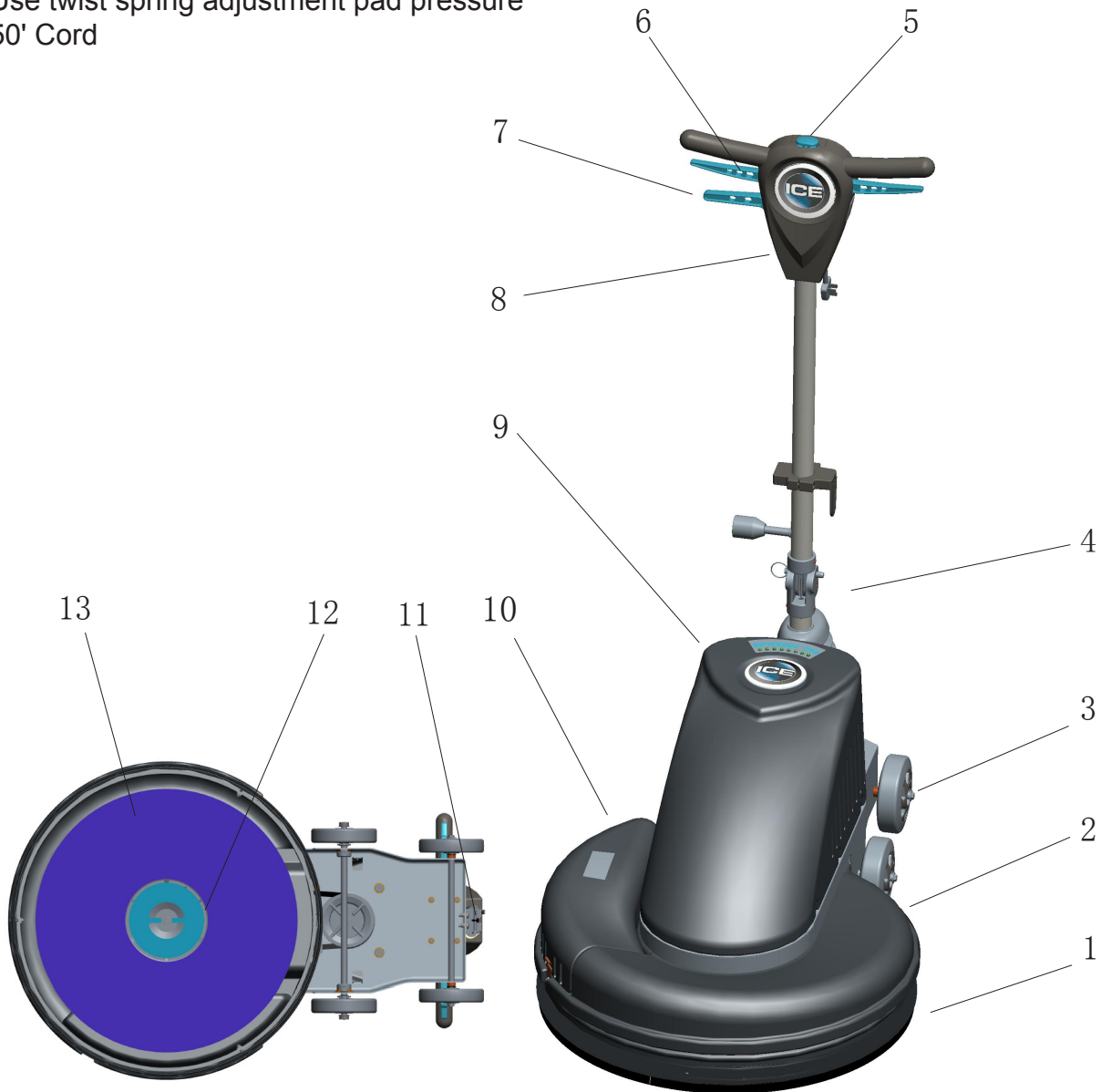
## MACHINE COMPONENTS

### Machine Description

- New structure design
- 20" Housing
- 20" Pad brush
- Engineering plastics
- Drive belt
- Handle foldable structure
- Safety lock-out switch
- Security protection in an upright
- Use twist spring adjustment pad pressure
- 50' Cord

### Machine Structure

- |                           |                    |
|---------------------------|--------------------|
| 1. Brush assy             | 2. Housing         |
| 3. Wheel                  | 4. Foldable handle |
| 5. Safety lock-out switch | 6. Trigger         |
| 7. Leveling rod           | 8. Handle          |
| 9. Motor cover            | 10. Cover dust bag |
| 11. Twist spring          | 12. Lock washer    |
| 13. Pad holder 20"        |                    |



## OPERATION OF HIGH SPEED FLOOR MACHINE



**THIS IS A SPECIALIZED MACHINE WHICH REQUIRES THE OPERATOR TO UTILIZE A ICE APPROVED PAD, AND MUST BE ADJUSTED PROPERLY TO ENSURE THE HIGHEST POSSIBLE PERFORMANCE AND PRODUCTIVITY.**



**Read operators manual thoroughly prior to operating or servicing this machine.**

### General Use:

- 1) Remove any obstructions or other obstacles in the area which is to be cleaned.
- 2) Remove dust recovery bag and empty it out in a trash receptacle. Replace dust recovery bag on machine, ensuring it is sealed tightly to the machine.
- 3) Place handle in upright position and tilt machine back until handle rests on the floor.



**Be sure the machine is not plugged into an outlet.**

- 4) Remove the pad center gripping device by unscrewing the thumbscrews.
- 5) Place a "ICE approved" burnishing pad on the pad driver and re-attach the center gripping device. (check with your ICE distributor for approved pads)
- 6) Place machine back into its upright position.
- 7) Plug power cord into grounded outlet.



**Do not use an extension cord in conjunction with the standard power cord.**

- 8) Adjust the handle (switch housing) height to a comfortable operating position.
- 9) To start the machine, push on the Blue safety button of the top of upper switch housing and squeeze either of the switch levers.
- 10) When the machine is in operation, both hands should be placed on the handle (switch housing).
- 11) Once the machine has reached operating speed, look at the digital pad pressure meter located on the top of the motor cover. There are 3 light colors which will help you determine optimal pad pressure for operating the machine. **YELLOW LIGHT(left):** If one yellow light is illuminated, adjustment front wheels position(forward) to increase the pad pressure. **RED LIGHT(right):** If one or both red lights are illuminated, adjustment front wheels position(backward) to reduce the pad pressure. If above two situations can not change, please replace the twist spring. **GREEN LIGHT(S):** If one, two, three, four or five green lights are illuminated, the machine is running at the optimal pad pressure and you may begin working.
- 12) When the machine is in operating, both hands should be gripping the hand.
- 13) To stop the machine at any time, simply release the switch lever, and the machine will stop automatically.



### MAINTENANCE

To keep the machine performing well for many years, please follow the following maintenance procedures.



**Always confirm that the machine is unplugged prior to performing any maintenance or repairs.**

1. Unplug machine as soon as you are done using it.
2. Remove dust recovery bag and empty contents into a trash receptacle. inspect dust recovery bag for any damage prior to replacing it on the machine.
3. Clean the outside of the machine with a mild cleaner.
4. Check power cord for any damage. If any damage is detected, replace the cord immediately.
5. Lubricate wheels with a water resistant lubricant once a month.
6. Check machine for loose or missing nuts and bolts, and replace as necessary.
7. If the machine is used in a dusty environment, you may remove the motor cover and blow the motor clean with compressed air. This will allow for good ventilation and help the motor run cooler.

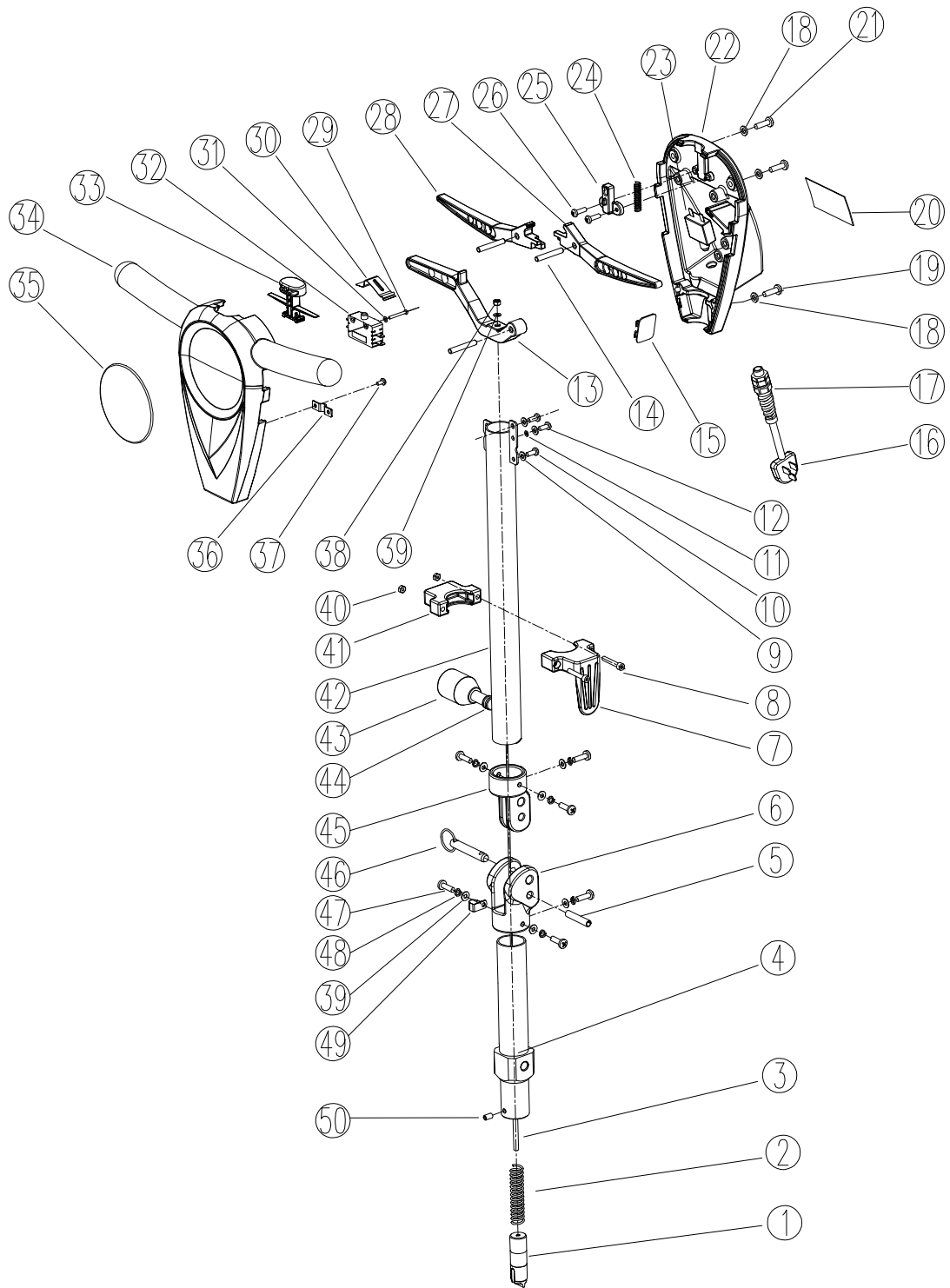


**The motor is computer controlled, and utilizes computer circuitry. Do not allow this circuitry to get wet! Never store a low speed machine with the pad driver or brush mounted**

### STORAGE

- 1) Unplug machine from power source and wrap cord on handle.
- 2) Store in upright position in a dry area.

iB2000 HANDLE ASSEMBLY





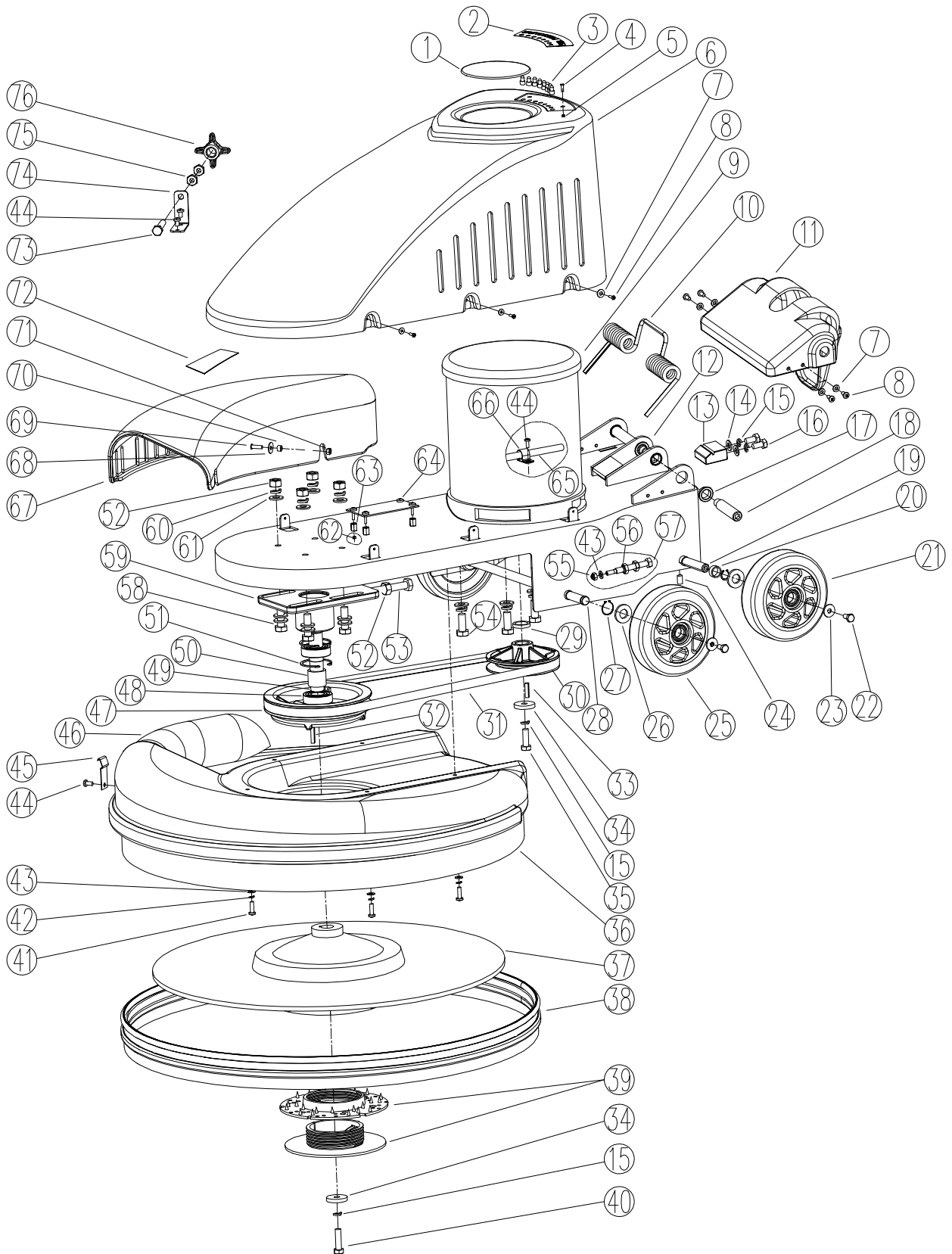
## **HANDLE ASSEMBLY PARTS LIST**

| <b>DIA NO</b> | <b>PART NUMBER</b> | <b>DESCRIPTION</b>       | <b>NO REQ'D</b> |
|---------------|--------------------|--------------------------|-----------------|
| 1             | 5020112            | INSERT                   | 1               |
| 2             | 4010208            | SPRING LEVELING          | 1               |
| 3             | 5020120            | ROD LEVELING             | 1               |
| 4             | 5020109            | TUBING BOTTOM BRACKET    | 1               |
| 5             | 1647845            | PIN                      | 1               |
| 6             | 5011019            | TUBING BOTTON BASE       | 1               |
| 7             | 4010405            | HOOK CABLE               | 1               |
| 8             | 1511540            | SCREW M5 X 40 HEX SOCKET | 2               |
| 9             | 1434500            | TOOTH WASHER $\Phi$ 5    | 4               |
| 10            | 1211512            | SCREW M5X12              | 4               |
| 11            | 1434400            | TOOTH WASHER $\Phi$ 4    | 2               |
| 12            | 1221412            | SCREW M4X12              | 1               |
| 13            | 5011017            | LEVELING ROD             | 1               |
| 14            | 4010314            | PIN                      | 3               |
| 15            | 5011004            | COVER                    | 1               |
| 16            | 4010320            | CORD POWER SUPPLY        | 1               |
| 17            | 4020310            | STRAIN RELIEF CORD       | 1               |
| 18            | 1421616            | WASHER PLAIN $\Phi$ 6    | 4               |
| 19            | 1512635            | SCREW M6 X 35            | 2               |
| 20            | 5015001U           | SERIAL NUMBER            | 1               |
| 21            | 1512625            | SCREW M6 X 25            | 2               |
| 22            | 4010312            | REAR COVER               | 1               |
| 23            | 5013009            | CIRCUIT BREAKER 20A      | 1               |
| 24            | 4010333            | SPRING SAFETY            | 1               |
| 25            | 4010317            | BALL BASE                | 1               |
| 26            | 1211408            | SCREW M4X8               | 2               |
| 27            | 4010330            | LEFT TRIGGER SWITCH      | 1               |
| 28            | 4010331            | RIGHT TRIGGER SWITCH     | 1               |
| 29            | 1211325            | SCREW M3X25              | 2               |
| 30            | 4010323            | SPRING SWITCH            | 1               |
| 31            | 1434300            | TOOTH WASHER             | 2               |
| 32            | 4010308            | SWITCH                   | 1               |
| 33            | 4010307            | SAFETY BOTTOM            | 1               |
| 34            | 4010301            | FRONT COVER              | 1               |
| 35            | 4010316            | ICE LOGO                 | 1               |
| 36            | 4010311            | CLAMP CORE               | 1               |

## HANDLE ASSEMBLY PARTS LIST

| <b>DIA<br/>NO</b> | <b>PART<br/>NUMBER</b> | <b>DESCRIPTION</b> | <b>NO<br/>REQ'D</b> |
|-------------------|------------------------|--------------------|---------------------|
| 37                | 1221406                | SCREW M4X6         | 2                   |
| 38                | 1123608                | NUT LOCK M6        | 1                   |
| 39                | 1421612                | WASHER Ø6          | 6                   |
| 40                | 1113507                | NUTLOCKM5          | 2                   |
| 41                | 4010403                | CLAMP HOOK         | 1                   |
| 42                | 5020119                | TUBING TOP BRACKET | 1                   |
| 43                | 4010215                | CORD HANDLE        | 1                   |
| 44                | 4010213                | GROMMET            | 1                   |
| 45                | 5011018                | TUBING TOP BASE    | 1                   |
| 46                | 1644045                | PIN                | 1                   |
| 47                | 1221620                | SCREW M6X20        | 6                   |
| 48                | 1422616                | WASHER LOCK Φ6     | 6                   |
| 49                | 6150712                | WIRE CLIP          | 1                   |
| 50                | 1535610                | SCREW M6x10        | 1                   |

IB2000 BASE ASSEMBLY



## BASE ASSEMBLY PARTS LIST

| DIA NO | PART NUMBER | DESCRIPTION  | NO REQ'D |
|--------|-------------|--|----------|
| 1      | 4010316     | ICE LOGO   | 1        |
| 2      | 5015006     | BRUSH ADJUSTMENT DECAL                             | 1        |
| 3      | 5013010U    | PCB ASSEMBLY120V                                   | 1        |
| 4      | 1222416     | SCREW M4x16  | 2        |
| 5      | 1123406     | NUT LOCK M4  | 4        |
| 6      | 5012414     | COVER MOTOR  | 1        |
| 7      | 1421409     | WASHER PLAIN $\Phi 4 \times \Phi 9 \times 0.8$     | 14       |
| 8      | 1221410     | SCREW M4x10 PH                                     | 10       |
| 9      | 5012304U    | MOTOR 1.5KW 120v                                   | 1        |
|        | 5012310-1   | CARBON BRUSH ASSEMBLY                              | 1        |
|        | 6210423     | RECTIFIER 50A/1000V                                | 1        |
| 10     | 5020108     | TWIST SPRING                                       | 1        |
| 11     | 5020117     | TWIST SPRING COVER                                 | 1        |
| 12     | 5020100     | HOUSING  | 1        |
| 13     | 5020113     | POSITION PLATE                                     | 1        |
| 14     | 1421816     | WASHER PLAIN $\Phi 8 \times \Phi 16 \times 1$      | 2        |
| 15     | 1422821     | WASHERLOCK $\Phi 8$                                | 4        |
| 16     | 1021816     | SCREW M8x16 HEX                                    | 2        |
| 17     | 5020106     | SPACER   | 4        |
| 18     | 5020107     | SCREW ROD  | 2        |
| 19     | 5012407     | REAR AXLE  | 1        |
| 20     | 5012408     | SPACER WHEEL AXLE                                  | 2        |
| 21     | 4210115     | WHEEL 6"   | 2        |
| 22     | 4010111     | HEX SCREW M6x12.7                                  | 4        |
| 23     | 1421618     | WASHER PLAIN $\Phi 6.4 \times \Phi 18 \times 1.6$  | 4        |
| 24     | 1534608     | SCREW M6x8   | 2        |
| 25     | 4210116     | WHEEL 5"   | 2        |
| 26     | 1421625     | WASHER PLAIN $\Phi 12.5 \times \Phi 25 \times 1.5$ | 4        |
| 27     | 1436012     | RETAINING RING EXTERNAL $\Phi 12$                  | 4        |
| 28     | 5012426     | FRONT AXLE   | 1        |
| 29     | 5012305     | SPACER   | 1        |
| 30     | 5012308     | DRIVING PULLEY                                     | 1        |
| 31     | 5012603     | VEE BELT   | 1        |
| 32     | 5012205     | KEY DRIVEN SHAFT                                   | 1        |
| 33     | 5012306     | KEY MOTOR  | 1        |
| 34     | 5012303     | WASHER PLAIN $\Phi 8 \times \Phi 30 \times 5$      | 2        |
| 35     | 1021825     | SCREW M8x25 HEX                                    | 1        |
| 36     | 5012101     | HOUSING  | 1        |
| 37     | 9060020     | PAD HOLDER 20"                                     | 1        |
| 38     | 5012112     | FLEXIBLE SKIRT                                     | 1        |

## BASE ASSEMBLY PARTS LIST

| DIA<br>NO | PART<br>NUMBER | DESCRIPTION   | NO<br>REQ'D |
|-----------|----------------|---|-------------|
| 39        | 9000001        | BIG MOUTH   | 1           |
| 40        | 1031830        | SCREW M8x30 HEX                                       | 1           |
| 41        | 1521620        | SCREW M6 X 20 HEX SOCKET                              | 7           |
| 42        | 1422616        | WASHER LOCK $\Phi$ 6                                  | 7           |
| 43        | 1421612        | WASHER PLAIN $\Phi$ 6 $\times$ $\Phi$ 12 $\times$ 1.6 | 9           |
| 44        | 1221512        | SCREW M5X12   | 4           |
| 45        | 5012106        | HOOK COVER DUST BAG                                   | 1           |
| 46        | 5012105        | DUST COLLECTOR BAG                                    | 1           |
| 47        | 5012201        | DRIVEN PULLEY   | 1           |
| 48        | 1612607        | BEARING 6004LU TPI                                    | 2           |
| 49        | 5012203        | DRIVEN SHAFT  | 1           |
| 50        | 5012204        | SPACER BEARING  | 1           |
| 51        | 1437042        | RETAINING RING INTERNAL $\Phi$ 42                     | 2           |
| 52        | 1111008        | NUT M10   | 5           |
| 53        | 1021065        | SCREW M10x65 HEX                                      | 1           |
| 54        | 1011016        | SCREW M10x16 HEX                                      | 4           |
| 55        | 1123608        | NUT LOCK M6   | 1           |
| 56        | 1111807        | NUT M8  | 4           |
| 57        | 5012423        | SCREW ROD M8  | 2           |
| 58        | 1031032        | SCREW M10x32 HEX                                      | 4           |
| 59        | 5012202        | MOUNTING PLATE DRIVEN SHAFT                           | 1           |
| 60        | 1432026        | WASHER LOCK $\Phi$ 10                                 | 8           |
| 61        | 1421020        | WASHER PLAIN $\Phi$ 10                                | 16          |
| 62        | 1123305        | NUTLOCKM3   | 4           |
| 63        | 1143315        | NUT M3x15   | 4           |
| 64        | 1221306        | SCREW M3X6  | 4           |
| 65        | 5013004        | MOTOR POWER CORD                                      | 1           |
| 66        | 6150712        | WIRE CLIP   | 1           |
| 67        | 5012102        | COVER DUST BAG  | 1           |
| 68        | 1421516        | WASHER PLAIN $\Phi$ 5 $\times$ $\Phi$ 16 $\times$ 1   | 1           |
| 69        | 1221515        | SCREW M5X15   | 1           |
| 70        | 5014006        | SPACER  | 1           |
| 71        | 1113507        | NUTLOCK M5  | 1           |
| 72        | 5015004        | WARNING DECALL  | 1           |
| 73        | 1031845        | SCREW M8x45 HEX                                       | 1           |
| 74        | 5012113        | COVER DUST BAG BRACKET                                | 1           |
| 75        | 1123810        | NUT LOCK M8   | 2           |
| 76        | 8118003        | HANDLE  | 1           |

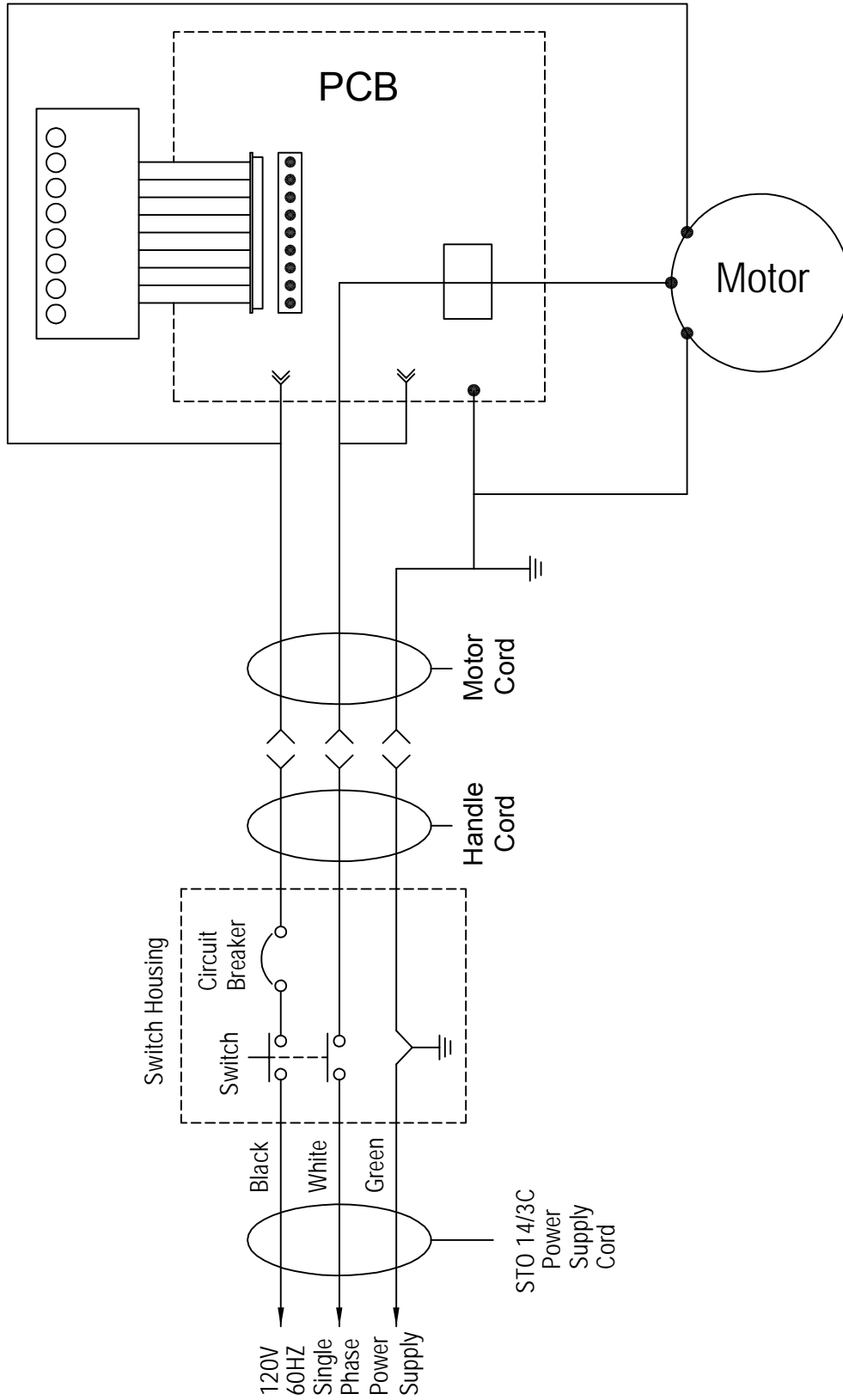
## WEAR & TEAR PARTS

| DIA NO | PART NUMBER | DESCRIPTION | NO REQ'D |
|--------|-------------|-------------|----------|
| 1      | 4210115     | WHEEL 6"    | 2        |
| 2      | 5012603     | VEE BELT    | 1        |
| 3      | 4210116     | WHEEL 5"    | 2        |

## SPECIFICATIONS

|                 |              |
|-----------------|--------------|
| Model           | iB2000       |
| Power           | 1.5HP        |
| Voltage         | 120 V        |
| Capacity        | 1.2 L        |
| Working Width   | 20"(51cm)    |
| Brush Speed     | 2000 rpm     |
| Cable Length    | 15 m         |
| Sound Level     | 62dB(A)      |
| Weight          | 48.5Kg       |
| Dimension LXWXH | 96X62X128 cm |

# Wiring Diagram iB2000



## CERTIFICATE OF QUALIFIED

MODEL: \_\_\_\_\_

SERIAL NO.: \_\_\_\_\_

INSPECTOR: \_\_\_\_\_

DATE: \_\_\_\_\_

### INTERNATIONAL CLEANING EQUIPMENT

TEL: (+86) 769 8186 9000

FAX: (+86) 769 8186 3000